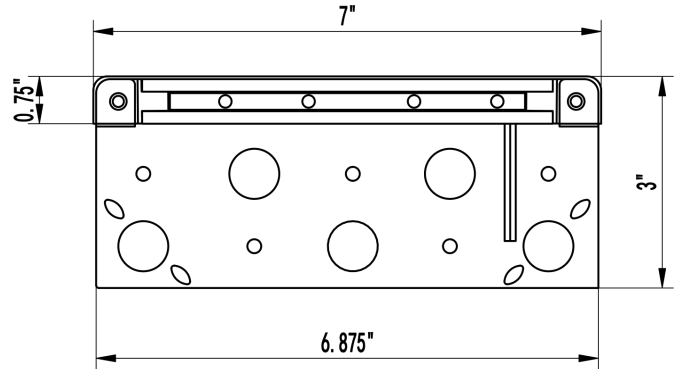
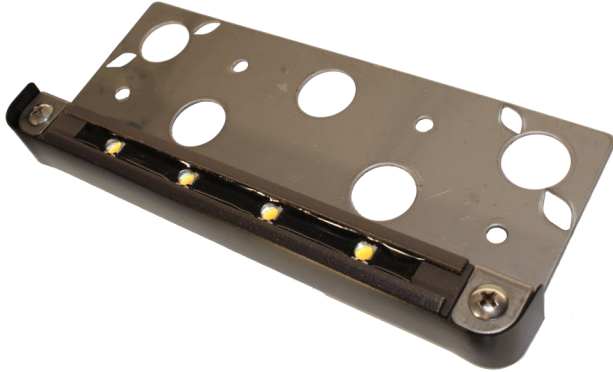


DIMENSIONS:



HSL-7-MCT

LED HARDSCAPE LIGHTS

ELECTRICAL SPECIFICATIONS:

- Voltage: 12VAC
- Wattage: 5W
- Efficacy: 40LM/W

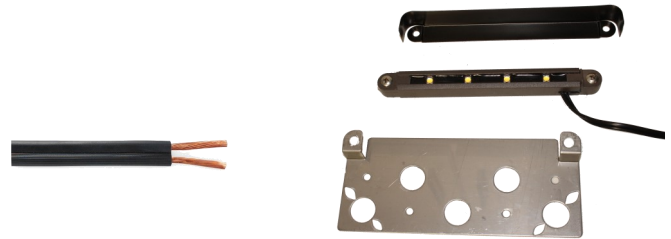
HOUSING SPECIFICATIONS:

- Cast Aluminum Fixture,
- Stainless Steel Bracket, Aluminum Front Trim with Dark Gray Finish (Paintable)
- 3FT. SPT-2 18AWG Lead Wire
- IP rating: IP67, Suitable for wet Locations

CERTIFICATIONS:



ACCESSORIES INCLUDED:



3FT. SPT-2 18AWG Lead Wire

Aluminum Dark Gray (Paintable) Trim & Bracket Included

LIGHTING SPECIFICATIONS:

- Light Source: LED COB Technology
- Lens: built-in Glass magnifying Lens
- Total lumens: 200LM
- Color temperature: MCT: 3000K/4000K/5000K
- Beam angle: 36°

WARRANTY: 1 years

