



# LED-2-S15W-T-SQ

## 2" Trimless Square LED 15W High Output Designer Series

Project: \_\_\_\_\_

Location: \_\_\_\_\_

Qty: \_\_\_\_\_

Notes: \_\_\_\_\_

### DESCRIPTION

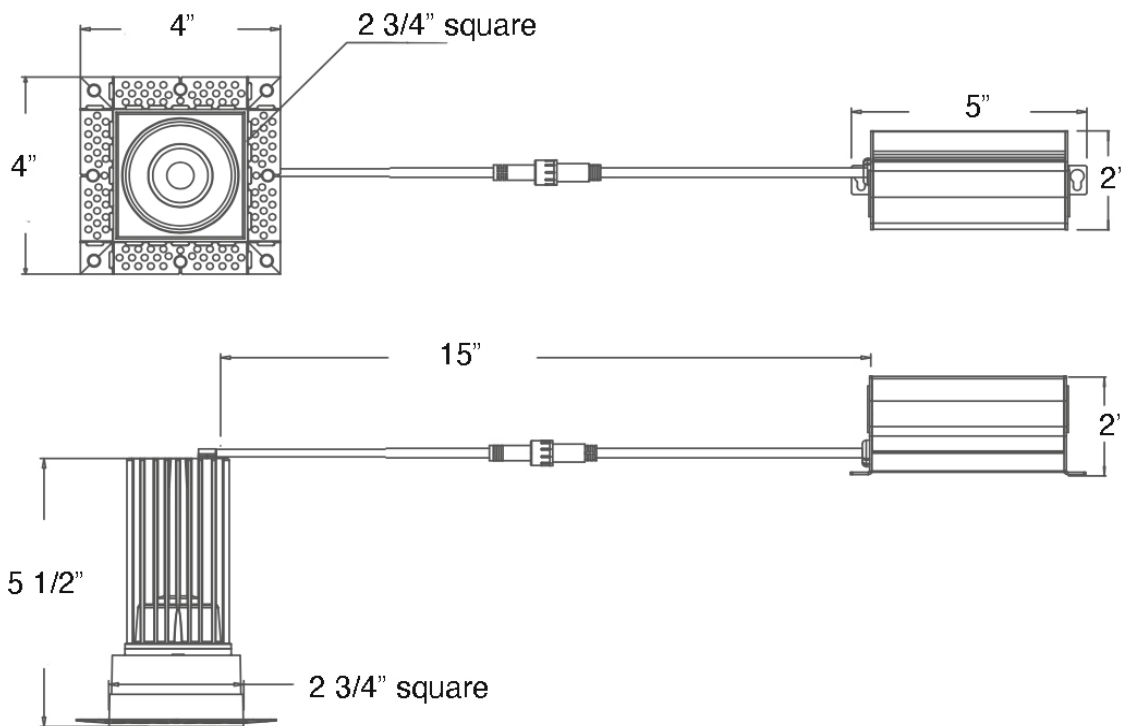
2" Trimless Square Recessed LED With Integral Driver In Connection Box

### FEATURES & BENEFITS

- 5CCT** user selectable or **Dim to Warm** 3000K to 1800K
- CRI 90+** for True Color Rendering
- 5" Deep** - Install Where Ceiling Space Is Limited
- Type IC Rated** - No Housing Required
- Wet Location** Approved
- Driver Inside Connection Box** - No Junction Box Needed
- Designer Series High Output Fixture Suitable New Construction & Remodel installation

**DIMENSIONS:** ID 2 1/2" ; OD 3 1/2" ; Cut Out 2 3/4" Square Hole

Ceiling Clearance Required: 5" 120V Triac Dim Driver Included



SPECIFICATION	
Applications	Commercial, Residential, Retail, Hospitality
Energy Used	15 W
Color Temperature (K)	5CCT: 27K - 30K - 35K - 40K - 50K   DTW 3000-1800K
Light Output (lm)	820 - 870 - 950 - 985 - 960   800
Halogen Equivalent	100 W
Beam Angle	38° (default) or 24°
CRI	90 +
Driver Input	120V AC 50/60 Hz
J-Box Volume	6.53 in <sup>3</sup> / 2 in 2 out 12AWG
Dimming	TRIAC Dimmers 10% - 100%
Approved Location	Insulated Ceiling & Wet Locations
Air Tight	Yes
Ambient Temperature	-4°F (-20°C) to +104°F (+40°C)
Projected Life	70% Light Output at 50,000 Hours
Certification	cETLus, Energy Star, T24
Warranty	5 Year



### ACCESSORIES

Sold Separately



[Jumper Cables 10 ft 5CCT model JC-5CCT-10](#)

[Jumper Cables 10 ft DTW model JC-10](#)

### ORDERING GUIDE

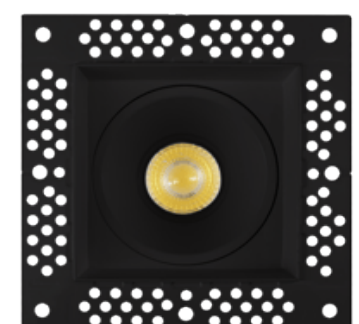
	CCT	Trim	Beam Angle
<b>LED-2-S15W-L5CCTWH-T-SQ</b>	5CCT	<a href="#">White</a>	blank for 38°
<b>LED-2-S15W-3018-WH-T-SQ</b>	Dim to Warm	<a href="#">White</a>	-24D for 24°
<b>LED-2-S15W-L5CCTBK-T-SQ</b>	5CCT	<a href="#">Black</a>	
<b>LED-2-S15W-3018-BK-T-SQ</b>	Dim to Warm	<a href="#">Black</a>	

Default beam angle is 38°, Optional is 24°

### AVAILABLE TRIMS



White



Black

### Lotus LED Lights USA

250 H Street # 301, Blaine WA 98230 tel 360-200-5500  
Hainesport NJ, Naples FL, Dallas TX, Vancouver WA

[www.LotusLEDLights.com](http://www.LotusLEDLights.com)

mailing addresses  
warehouses

### Lotus LED Lights CANADA

702 Chester Rd, Delta BC V3M 6J1 tel 604-538-3090  
Delta BC & Mississauga ON