



DLED-3815P (3")

DLED-4225P (4")

DLED-6040P (6")

PRODUCT OVERVIEW

This cylinder architectural series is elegant and functional. CCT selectable, the fixtures provides high flexibility for all environments. The high performance LEDs and long provides effective lighting all around.



KEY FEATURES

LISTING

- UL- and CUL-listed

HOUSING

- Aluminium alloy body

FINISH

UV stabilized powder coated finish for outdoor

APPLICATIONS

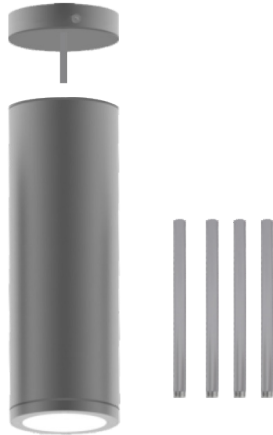
	Supermarkets & Retail
	Hotels & Restaurants
	Commercial Buildings
	Schools & Colleges
	Offices & Showrooms

CABLE SUSPENSION MOUNT OPTIONS

Optional four 12" connectable stems
(4' total) UNF 5/8" Pipes



3"
DLED-3815P



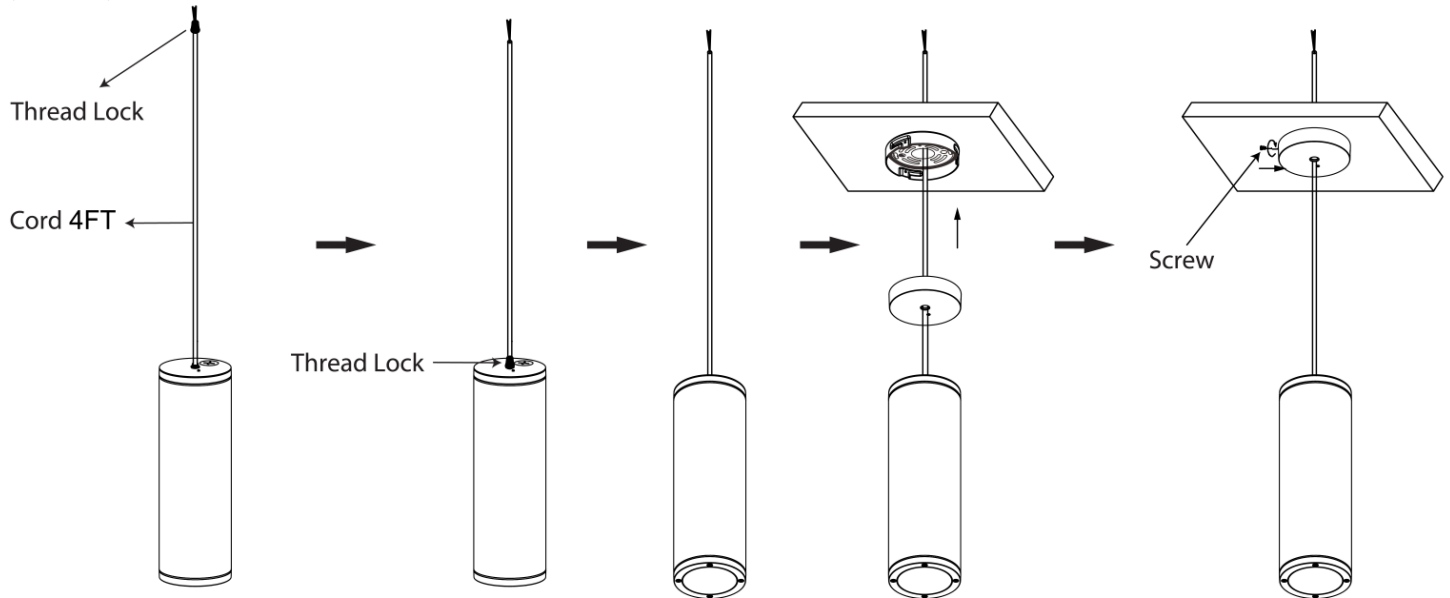
4"
DLED-4225P



6"
DLED-6040P

CABLE SUSPENSION MOUNT

Optional four 12" connectable stems
(4' total)



• Different LED Kelvin temperature available with 4-6 week lead time. Please call for a quote. •DISCLAIMER: This test report was produced in accordance with IES LM-79 photometric testing protocol for luminaires, using a single representative test fixture. Actual production units may vary from the values reported here by up to ±10%.

PERFORMANCE DATA

Model No.	Nominal Watts**	Lumen**	Efficacy**	Angle
DLED-3815P	13W	1670 lm**	125 lm/W**	45° / 75° * *45° is only exclusive for 4225 and 6040 series
DLED-4225P	20W	2485 lm**	120 lm/W**	
DLED-6040P	33W	4825 lm**	140 lm/W**	

** Lumen and Efficacy are based on highest wattage 5000K at 75° Angle

SPECIFICATIONS

Example: DLED-Cylinder

Model No.	Nominal Watts**	Input Voltage	CRI	Color Temp*	Angle	Optional Accessories	Finish	Starting Temp
DLED-3815 P	13=13W	UNV=120-277V	8=80+	TX =	45°	R = 4ft (4x12") connectable stems and base for Pendant Mount	WH=White	-40°C
DLED-4225 P	20=20W			3000K	75°		BK=Black	
DLED-6040 P	33=33W			4000K			GY=Gray	
				5000K				

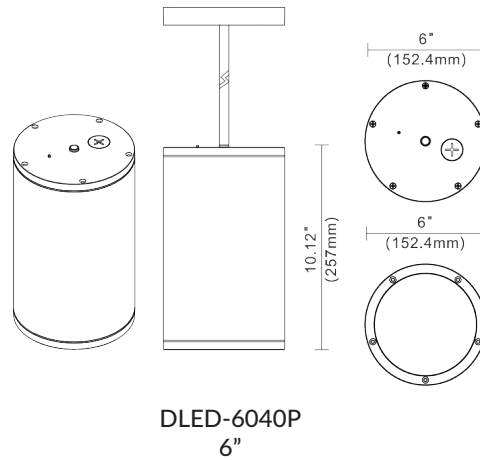
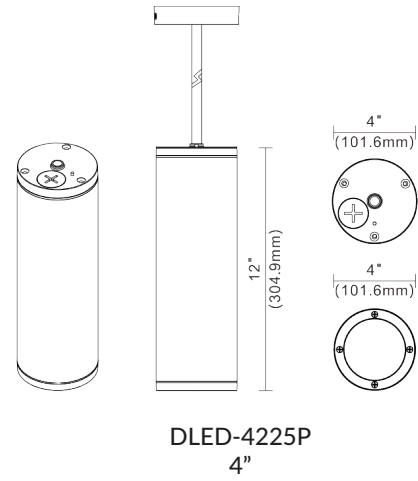
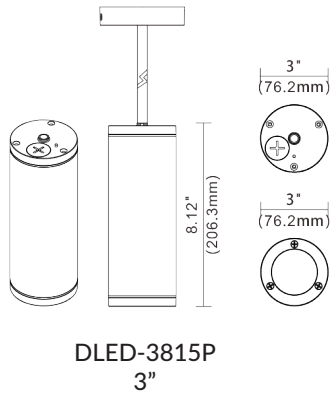
45° is only exclusive for 4225 and 6040 series



• Different LED Kelvin temperature available with 4-6 week lead time. Please call for a quote. **DISCLAIMER: This test report was produced in accordance with IES LM-79 photometric testing protocol for luminaires, using a single representative test fixture. Actual production units may vary from the values reported here by up to ±10%.

DIMENSIONS

CABLE SUSPENSION MOUNT



• Different LED Kelvin temperature available with 4-6 week lead time. Please call for a quote. •DISCLAIMER: This test report was produced in accordance with IES LM-79 photometric testing protocol for luminaires, using a single representative test fixture. Actual production units may vary from the values reported here by up to ±10%.