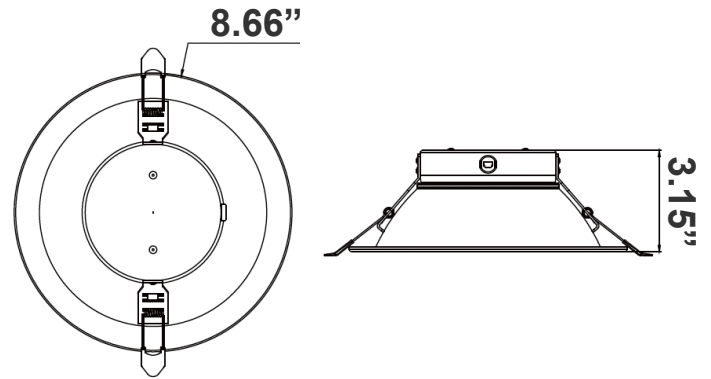


CRLB SERIES

CRLB8-18-30W-MCTP5-WH
COMMERCIAL RECESSED LIGHT WITH REMOTE DRIVER
MCTP5 Multi Color Temperature (Selectable)

WESTGATE
THE FUTURE IS HERE...AND IT'S QUITE BRIGHT!

Customer Name: _____
Project Name: _____
Note: _____ | Type: _____



Two integrated DLP switches enable flexible selection of five CCT options and three power levels. The 0–10V dimming system supports remote J-box control, simplifying installation in existing recessed applications. An all-in-one frame design eliminates the need for a separate housing, with the recessed jig mounted directly to the ceiling.

Features

- 8" Smooth Recessed Trim
- MCTP5: The Switch Is On The Light Engine
- Isolated Driver for Improved Thermal Management
- 5-Year Warranty
- Spun Aluminum with White Powder Coat Finish

Technical Specifications

Electrical:

- Voltage: 120V AC
- Output Voltage: 36VDC
- Power Factor: >0.90
- Wattage: 18W/24W/30W
- Efficacy: 86 LPW
- Total Harmonic Distortion: ≤15 %

Mechanical:

- Mounting Options: Recessed
- Operating Temp: -4°F to 104°F
- Type-IC rated and suitable for wet location applications
- 5-Year Warranty

Lighting:

- MCTP5: The Switch Is On The Light Engine
- Dimming: 0~10V Dimmable
- Total Lumens: 2580LM Max.
- Color Temperature: 2700K/3000K/3500K/4000K/5000K
- Color Rendering index: >90
- Beam Angle: 95°
- Rated Life: 50,000 hrs

Applications:

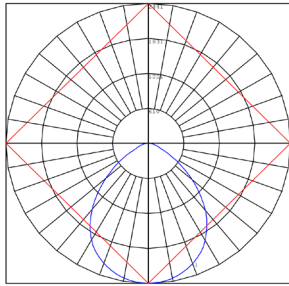
- LED recessed trims have been designed to be a flexible lighting solution for new construction applications, Ideal for closets, storage areas, attics, corridors, or general lighting solutions for residential and commercial applications



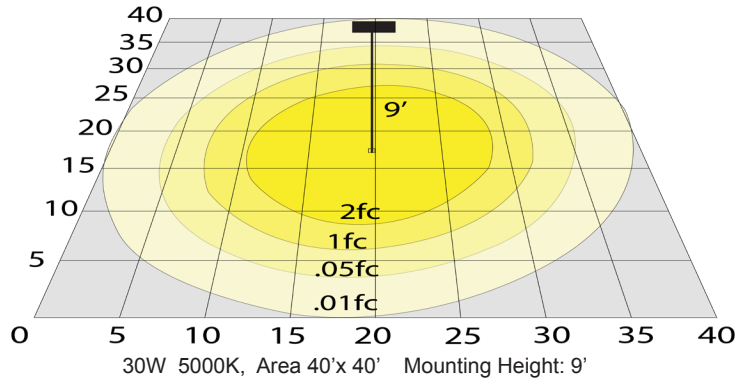
Phone: (877) 805-2252 | Fax: (877) 805-2252
www.westgatemfg.com



Photometrics: CRLB8-18-30W-MCTP5-WH



BUG Rating: B1-U1-G0



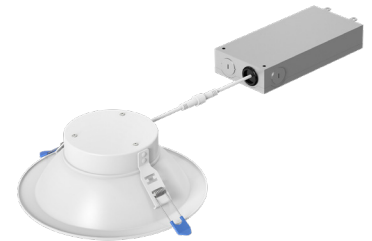
Other Views:



Side View



Front View



Back View

Performance Table: CRLB8-18-30W-MCTP5-WH

MODEL NO.	Wattage	Voltage	Lumens	Color Temp.	BUG Rating	LPW
CRLB8-18-30W-MCTP5-WH	18W	120-277V	1548LM	2700K	B1-U1-G0	86
	24W		2064LM	3000K		
	30W		2580LM	3500K		
				4000K		
				5000K		

Sample Ordering

Model
 Watt
 Watt
 Color Temp.
 Finish
CRLE8 - 10 - 22W - MCTP5 - WH

Accessories:

Blank = No Option For Accessories
 CRLE-RI-TBAR-UNV = SNAP-IN COMM. RECESSED LIGHT UNIVERSAL TBAR PLATE
 CRLE-RI-UNV = SNAP-IN COMM. RECESSED LIGHT UNIVERSAL ROUGH-IN PLATE

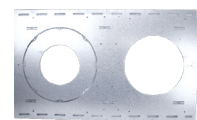
Factory-Installed Option:

Blank = No Option For Accessories
 OPT-EM-CRLB = EMERGENCY BACK UP BATTERY

ACCESSORIES:



CRLE-RI-TBAR-UNV



CRLE-RI-UNV

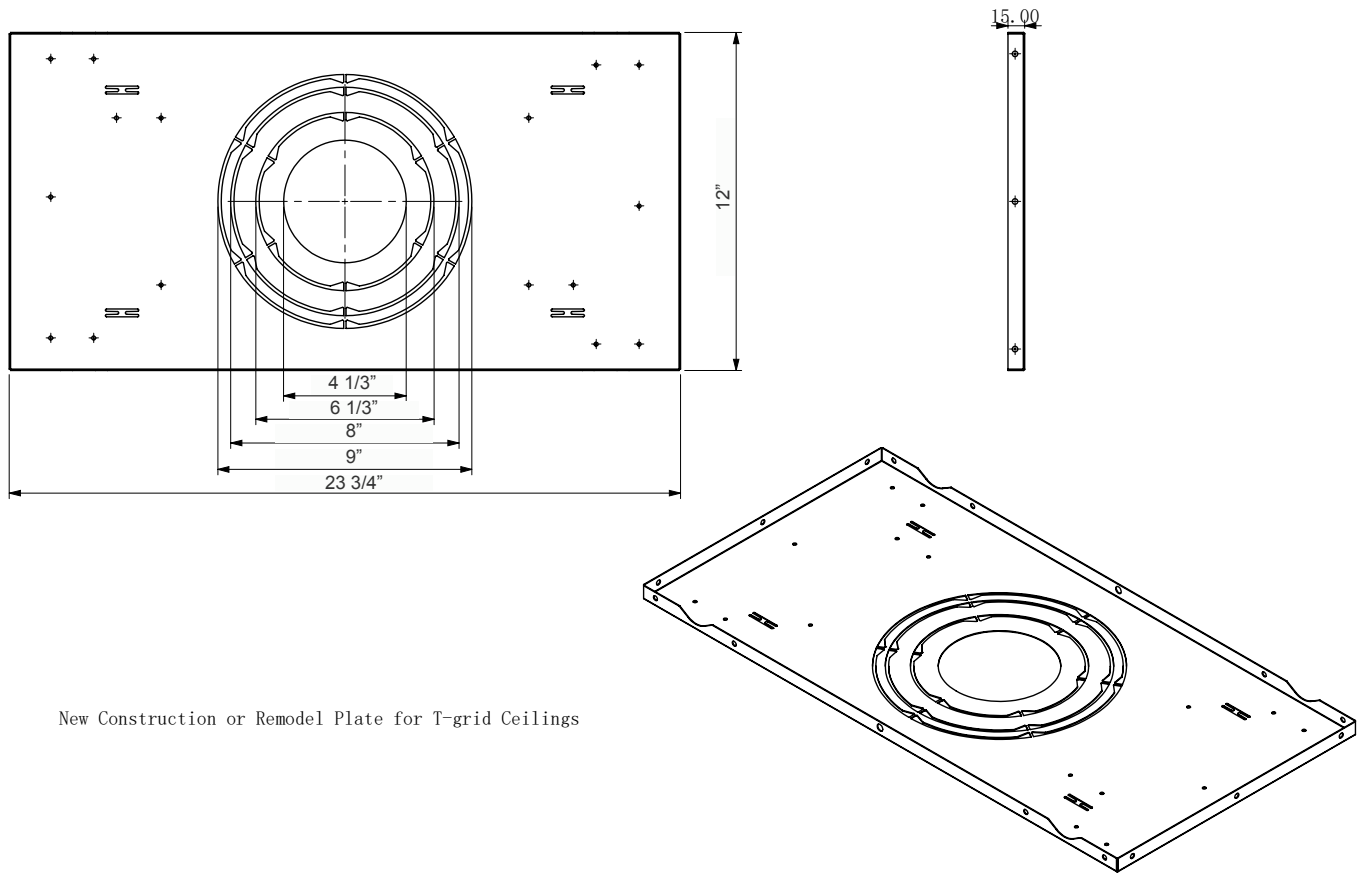
FACTORY INSTALLED OPTION :



OPT-EM-CRLB

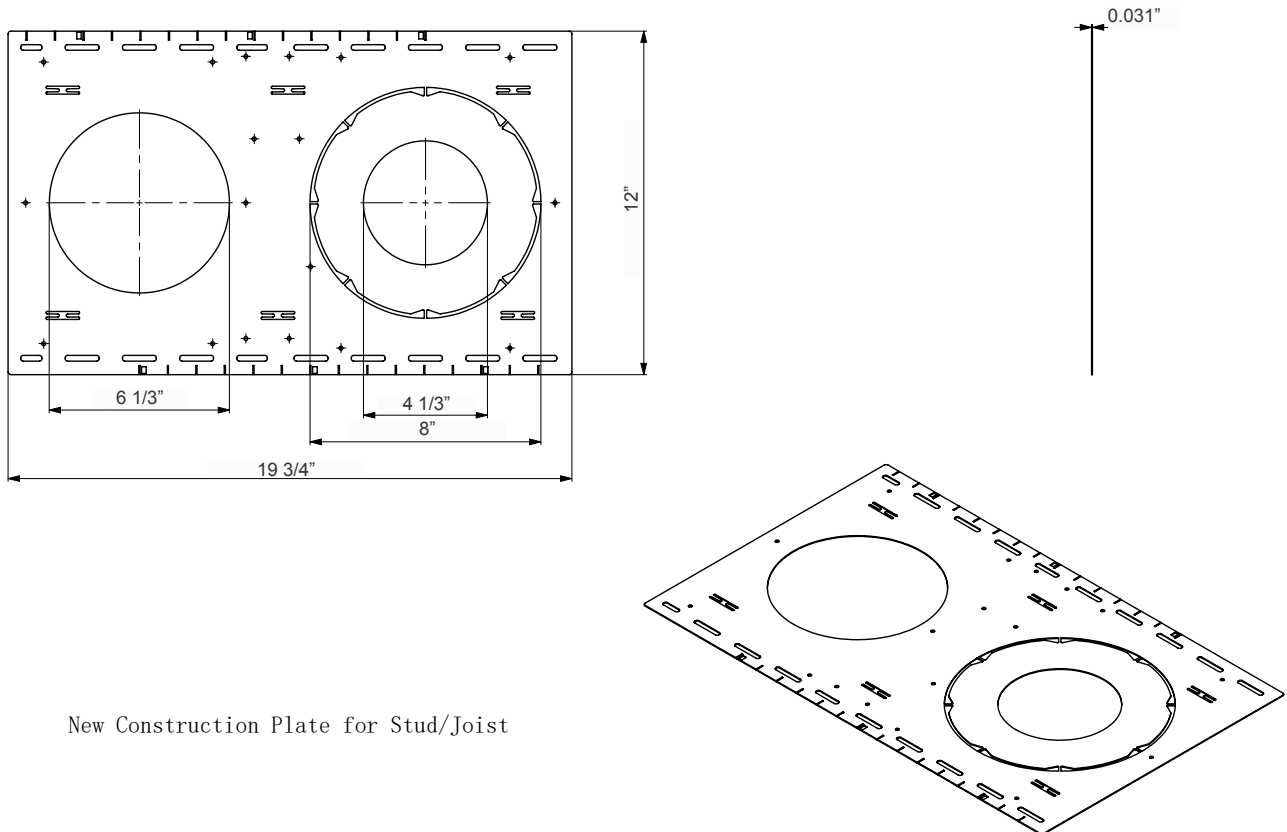


CRLE-RI-TBAR-UNV:



New Construction or Remodel Plate for T-grid Ceilings

CRLE-RI-UNV:



New Construction Plate for Stud/Joist

