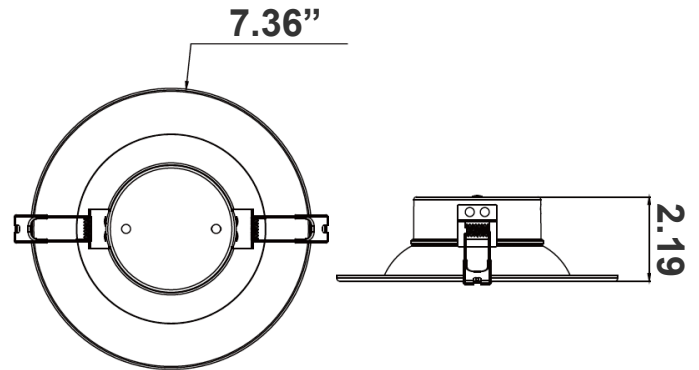
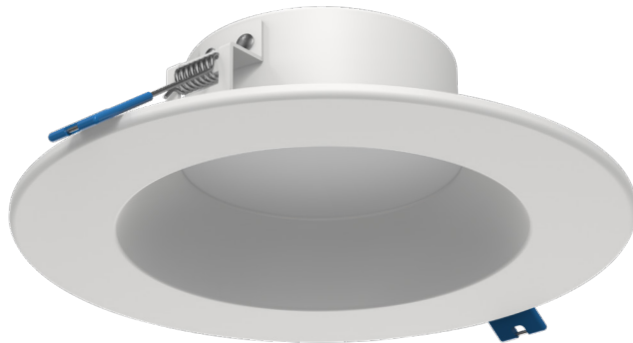


# CRLB SERIES RESIDENTIAL LIGHTING

CRLB6-10-18W-MCTP5-WH  
BUILDER SERIES COMMERCIAL RECESS LIGHT  
**MCT5** Multi Color Temperature (Selectable)

Customer Name: \_\_\_\_\_  
Project Name: \_\_\_\_\_  
Note: \_\_\_\_\_ | Type: \_\_\_\_\_



Two integrated DLP switches enable flexible selection of five CCT options and three power levels. The 0–10V dimming system supports remote J-box control, simplifying installation in existing recessed applications. An all-in-one frame design eliminates the need for a separate housing, with the recessed jig mounted directly to the ceiling.

7.36"(D) x 2.19"(H)

## Features

- 6" Smooth Recessed Trim
- MCT5: The Switch Is On The Light Engine
- Isolated Driver for Improved Thermal Management
- 5-Year Warranty
- Spun Aluminum with White Powder Coat Finish

## Technical Specifications

### Electrical:

- Voltage: 120-277V AC
- Output Voltage: 36VDC
- Power Factor: >0.90
- Wattage: 10W/15W/18W
- Efficacy: 86 LM/W
- Total Harmonic Distortion: ≤15 %

### Mechanical:

- Mounting Options: Recessed
- Operating Temp: -4°F to 104°F
- Type-IC rated and suitable for wet location applications
- 5-Year Warranty

### Lighting:

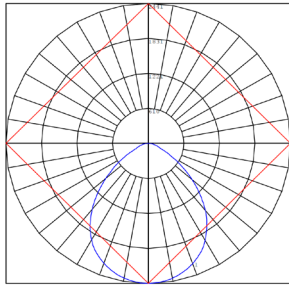
- MCT5: The Switch Is On The Light Engine
- Dimming: 0~10V Dimmable
- Total Lumens: 1548LM Max.
- Color Temperature: 2700K/3000K/3500K/4000K/5000K
- Color Rendering index: >90
- Beam Angle: 95°
- Rated Life: 50,000 hrs

### Applications:

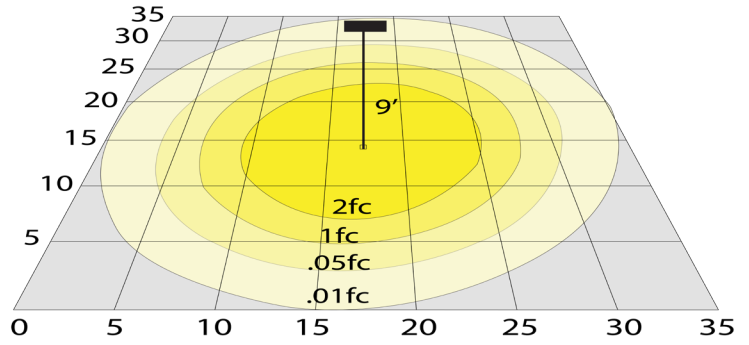
- LED recessed trims have been designed to be a flexible lighting solution for new construction applications, Ideal for closets, storage areas, attics, corridors, or general lighting solutions for residential and commercial applications



**Photometrics:** CRLB6-10-18W-MCTP5-WH



BUG Rating: B1-U1-G0

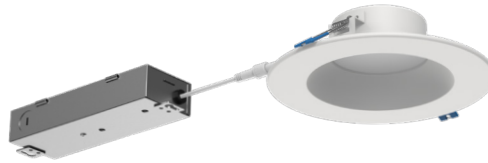


18W 5000K, Area 35'x 35' Mounting Height: 9'

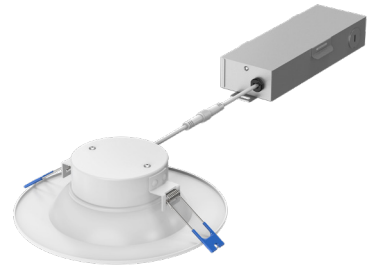
**Other Views:**



Side View



Front View



Back View

**Performance Table:** CRLB6-10-18W-MCTP5-WH

MODEL NO.	Wattage	Voltage	Lumens	Color Temp.	BUG Rating	LPW
CRLB6-10-18W-MCTP5-WH	10W	120-277V	860LM	2700K	B1-U1-G0	86
	15W		1290LM	3000K		
	18W		1548LM	3500K		
				4000K		
				5000K		

**Sample Ordering**

Model    Watt    Watt    Color Temp.    Finish  
 -  -  -  -

**Accessories:**

Blank = No Option For Accessories  
 CRLE-RI-TBAR-UNV = SNAP-IN COMM. RECESSED LIGHT UNIVERSAL TBAR PLATE  
 CRLE-RI-UNV = SNAP-IN COMM. RECESSED LIGHT UNIVERSAL ROUGH-IN PLATE  
 RSL6-RI-13 = 6" ROUND ROUGH-IN PLATE, 13" LONG  
 RSL6-RI = 6" ROUND ROUGH-IN PLATE, 26" LONG

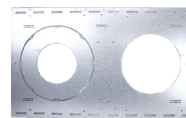
**Factory-Installed Option:**

Blank = No Option For Accessories  
 OPT-EM-CRLB = EMERGENCY BACK UP BATTERY

**ACCESSORIES:**



CRLE-RI-TBAR-UNV



CRLE-RI-UNV



RSL6-RI-13  
6" Round Rough-in Plate,  
13" Long



RSL6-RI  
6" Round Rough-in Plate,  
26" Long

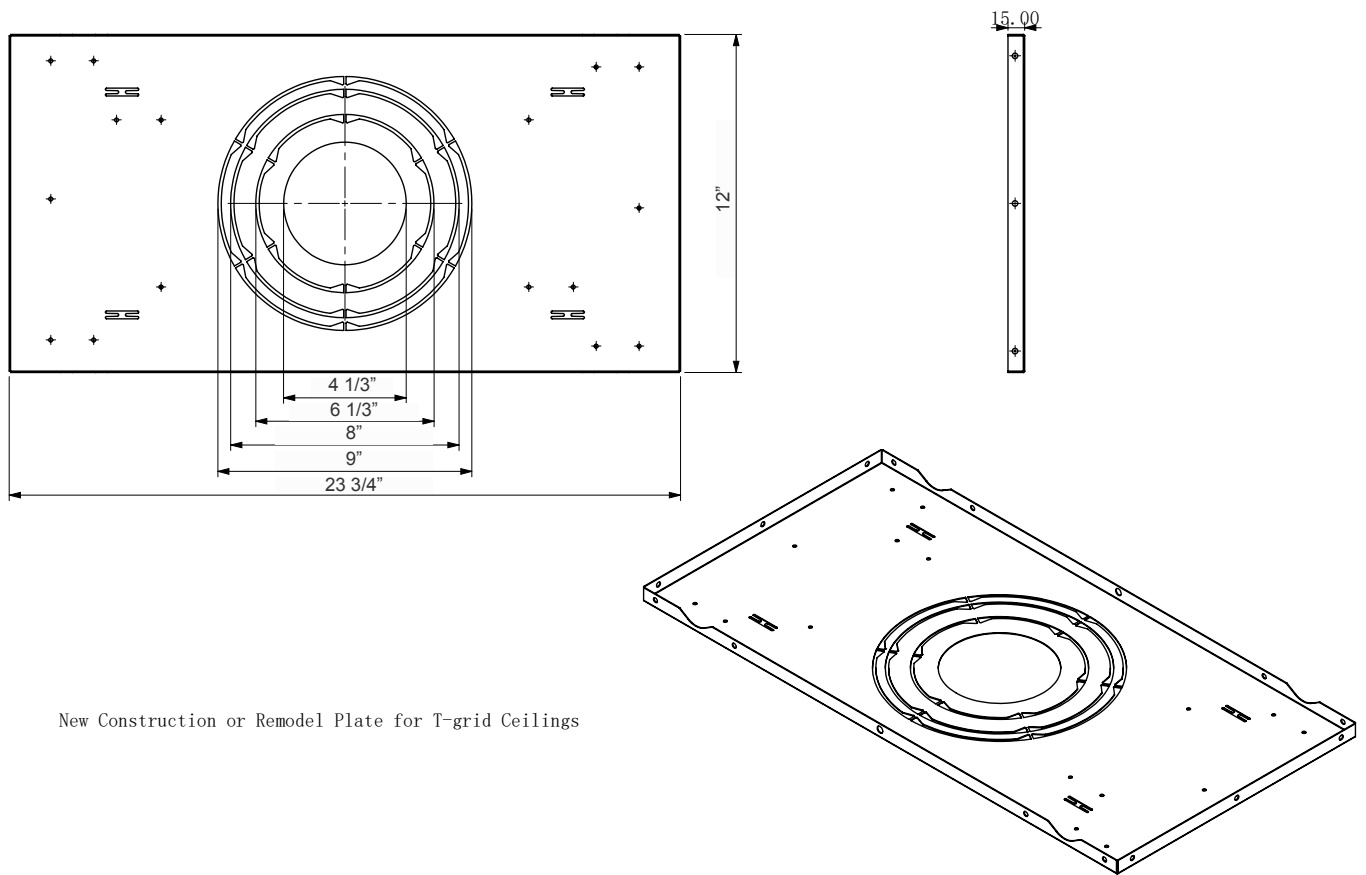
**FACTORY INSTALLED OPTION :**



OPT-EM-CRLB

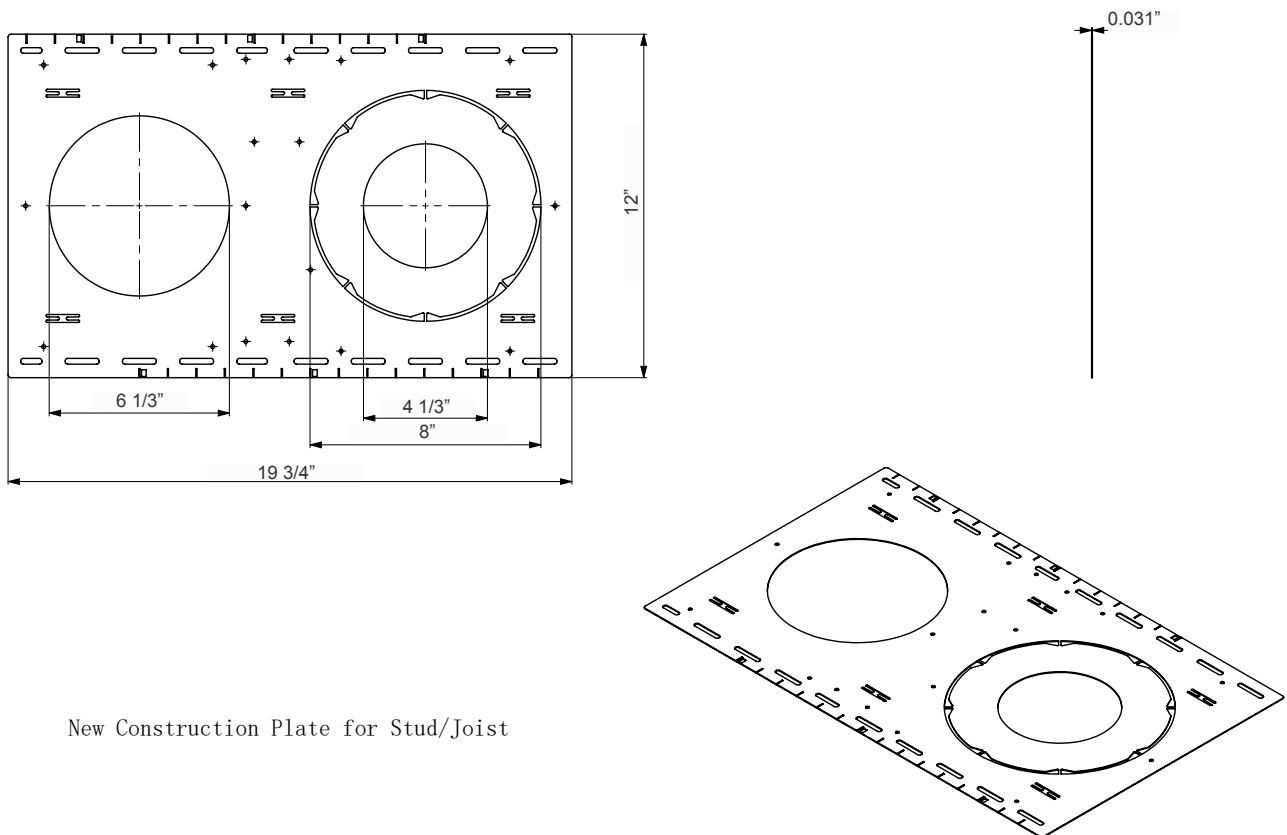


CRLE-RI-TBAR-UNV:



New Construction or Remodel Plate for T-grid Ceilings

CRLE-RI-UNV:



New Construction Plate for Stud/Joist

