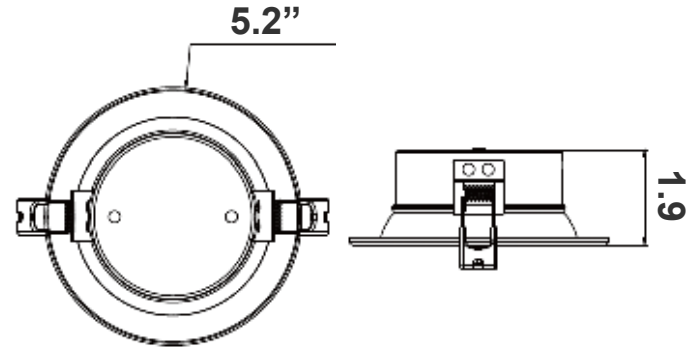


CRLB SERIES RESIDENTIAL LIGHTING

CRLB4-7-15W-MCTP5-WH
COMMERCIAL RECESSED LIGHT WITH REMOTE DRIVER
MCT5 Multi Color Temperature (Selectable)

Customer Name: _____
Project Name: _____
Note: _____ | Type: _____



Two integrated DLP switches enable flexible selection of five CCT options and three power levels. The 0–10V dimming system supports remote J-box control, simplifying installation in existing recessed applications. An all-in-one frame design eliminates the need for a separate housing, with the recessed jig mounted directly to the ceiling.

Features

- 4" Smooth Recessed Trim
- MCTP5: The Switch Is On The Light Engine
- Isolated Driver for Improved Thermal Management
- 5-Year Warranty
- Spun Aluminum with White Powder Coat Finish

Technical Specifications

Electrical:

- Voltage: 120-277V AC
- Output Voltage: 36VDC
- Power Factor: >0.90
- Wattage: 7W/11W/15W
- Total Harmonic Distortion: ≤15 %
- Efficacy: 86LM/W

Mechanical:

- Mounting Options: Recessed
- Operating Temp: -4°F to 104°F
- Type-IC rated and suitable for wet location applications
- 5-Year Warranty

Lighting:

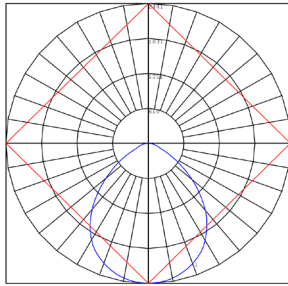
- Dimming: 0-10V Dimming
- MCTP5: The Switch Is On The Light Engine
- Total Lumens: 1290LM Max.
- Color Temperature: 2700K/3000K/3500K/4000K/5000K
- Color Rendering index: >90
- Beam Angle: 95°
- Rated Life: 50,000 hrs

Applications:

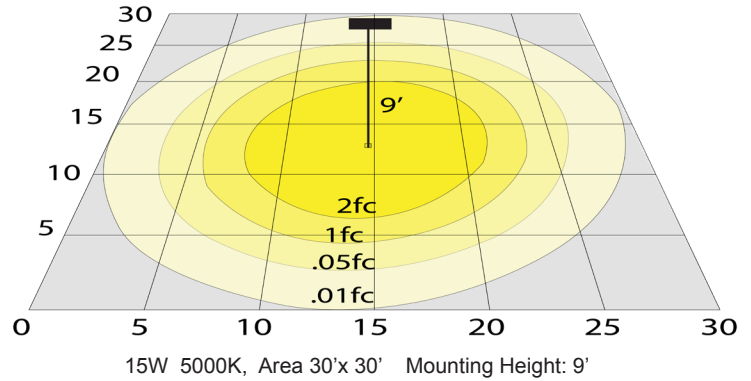
- LED recessed trims have been designed to be a flexible lighting solution for new construction applications, Ideal for closets, storage areas, attics, corridors, or general lighting solutions for residential and commercial applications



Photometrics: CRLB4-7-15W-MCTP5-WH



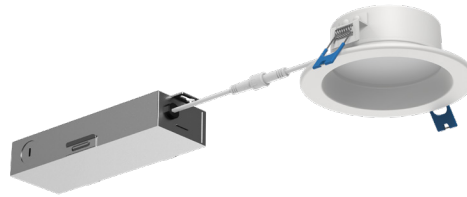
BUG Rating: B1-U1-G0



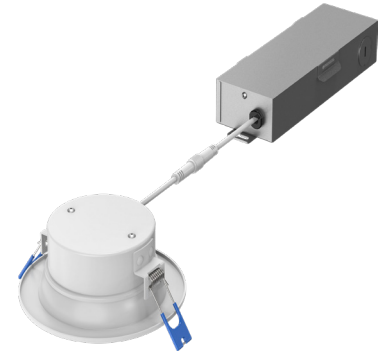
Other Views:



Side View



Front View



Back View

Performance Table: CRLB4-7-15W-MCTP5-WH

MODEL NO.	Wattage	Voltage	Lumens	Color Temp.	BUG Rating	LPW
CRLB4-7-15W-MCTP5-WH	7W 11W 15W	120-277V	602LM 946LM 1275LM	2700K 3000K 3500K 4000K 5000K	B1-U1-G0	86

Sample Ordering

Model **Watt** **Watt** **Color Temp.** **Finish**
 CRLB4 - 7 - 15W - MCTP5 - WH

Accessories:

Blank = No Option For Accessories
 CRLE-RI-TBAR-UNV = SNAP-IN COMM. RECESSED LIGHT UNIVERSAL TBAR PLATE
 CRLE-RI-UNV = SNAP-IN COMM. RECESSED LIGHT UNIVERSAL ROUGH-IN PLATE

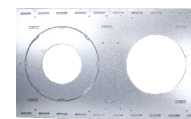
Factory-Installed Option:

Blank = No Option For Accessories
 OPT-EM-CRLB = EMERGENCY BACK UP BATTERY

ACCESSORIES:



CRLE-RI-TBAR-UNV



CRLE-RI-UNV

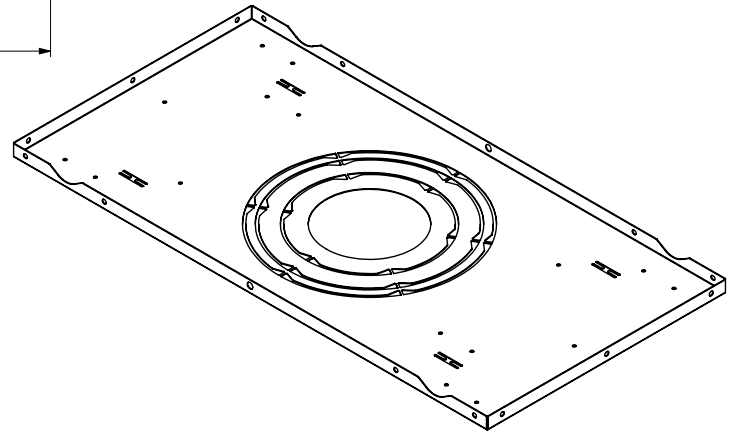
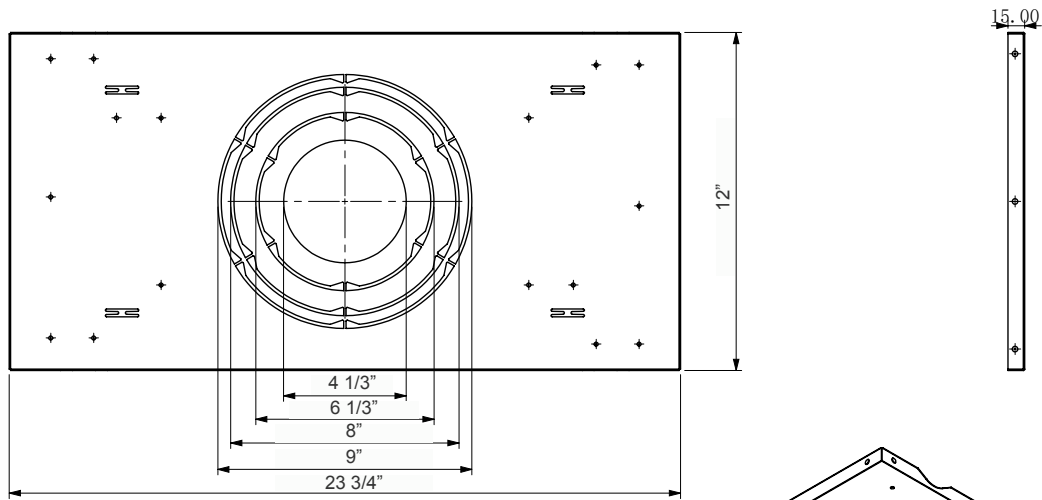
FACTORY INSTALLED OPTION :



OPT-EM-CRLB

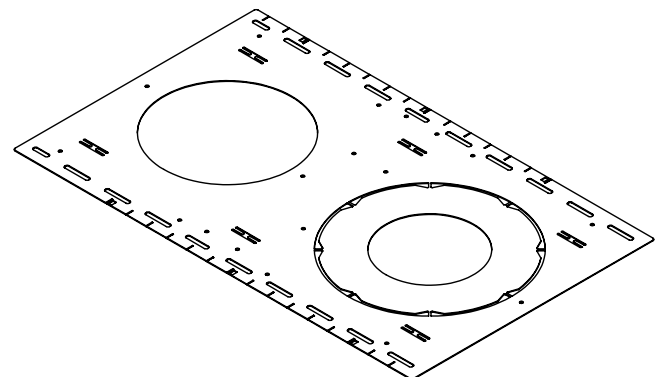
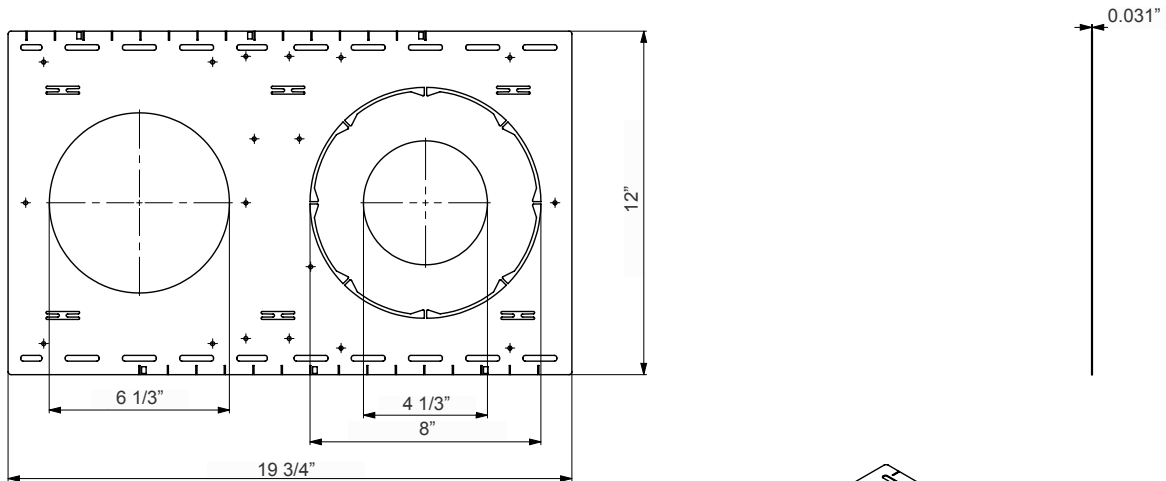


CRLE-RI-TBAR-UNV:



New Construction or Remodel Plate for T-grid Ceilings

CRLE-RI-UNV:



New Construction Plate for Stud/Joist

