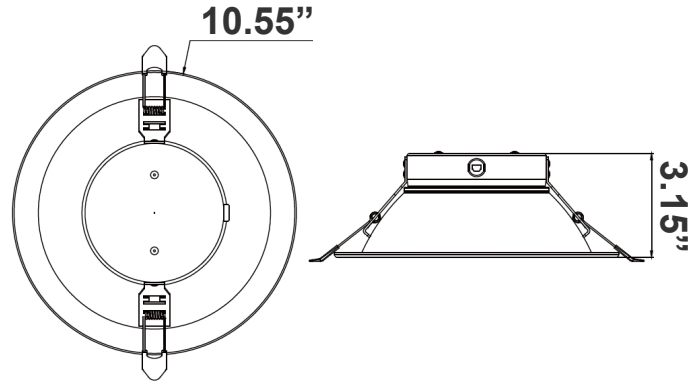


# CRLB SERIES

CRLB10-22-38W-MCTP5-WH  
COMMERCIAL RECESSED LIGHT WITH REMOTE DRIVER  
**MCT5** Multi Color Temperature (Selectable)

**WESTGATE**  
THE FUTURE IS HERE...AND IT'S QUITE BRIGHT!

Customer Name: \_\_\_\_\_  
Project Name: \_\_\_\_\_  
Note: \_\_\_\_\_ | Type: \_\_\_\_\_



10.55"(D) x3.15"(H)

Two integrated DLP switches enable flexible selection of five CCT options and three power levels. The 0–10V dimming system supports remote J-box control, simplifying installation in existing recessed applications. An all-in-one frame design eliminates the need for a separate housing, with the recessed jig mounted directly to the ceiling.

## Features

- 10" Smooth Recessed Trim
- MCTP5: The Switch Is On The Light Engine
- Isolated Driver for Improved Thermal Management
- 5-Year Warranty
- Spun Aluminum with White Powder Coat Finish

## Technical Specifications

### Electrical:

- Voltage: 120V AC
- Output Voltage: 36VDC
- Power Factor: >0.90
- Wattage: 22W/30W/38W
- Efficacy: 86 LPW
- Total Harmonic Distortion: ≤15 %

### Mechanical:

- Mounting Options: Recessed
- Operating Temp: -4°F to 104°F
- Type-IC rated and suitable for wet location applications
- 5-Year Warranty

### Lighting:

- MCTP5: The Switch Is On The Light Engine
- Dimming: 0~10V Dimmable
- Total Lumens: 3268LM Max.
- Color Temperature: 2700K/3000K/3500K/4000K/5000K
- Color Rendering index: >90
- Beam Angle: 95°
- Rated Life: 50,000 hrs

### Applications:

- LED recessed trims have been designed to be a flexible lighting solution for new construction applications, Ideal for closets, storage areas, attics, corridors, or general lighting solutions for residential and commercial applications

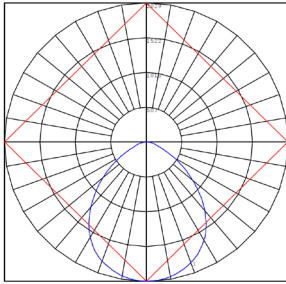


Phone: (877) 805-2252 | Fax: (877) 805-2252  
www.westgatemfg.com

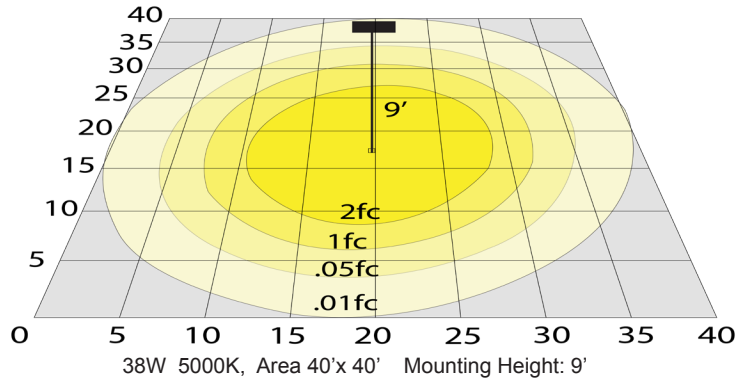


WG-Z8-2F-2Z

**Photometrics:** CRLB10-22-38W-MCTP5-WH



BUG Rating: B1-U1-G0



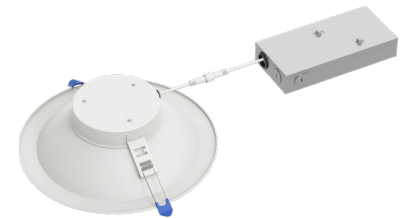
**Other Views:**



Side View



Front View



Back View

**Performance Table:** CRLB10-22-38W-MCTP5-WH

MODEL NO.	Wattage	Voltage	Lumens	Color Temp.	BUG Rating	LPW
CRLB10-22-38W-MCTP5-WH	22W	120-277V	1892LM	2700K	B1-U1-G0	86
	30W		2580LM	3000K		
	38W		3268LM	3500K		
				4000K		
				5000K		

**Sample Ordering**

Model	Watt	Watt	Color Temp.	Finish				
CRLE10	-	22	-	38W	-	MCTP5	-	WH

**Accessories:**

Blank = No Option For Accessories  
 CRLE-RI-TBAR-UNV = SNAP-IN COMM. RECESSED LIGHT UNIVERSAL TBAR PLATE  
 CRLE-RI-UNV = SNAP-IN COMM. RECESSED LIGHT UNIVERSAL ROUGH-IN PLATE

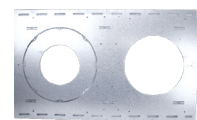
**Factory-Installed Option:**

Blank = No Option For Accessories  
 OPT-EM-CRLB = EMERGENCY BACK UP BATTERY

**ACCESSORIES:**



CRLE-RI-TBAR-UNV



CRLE-RI-UNV

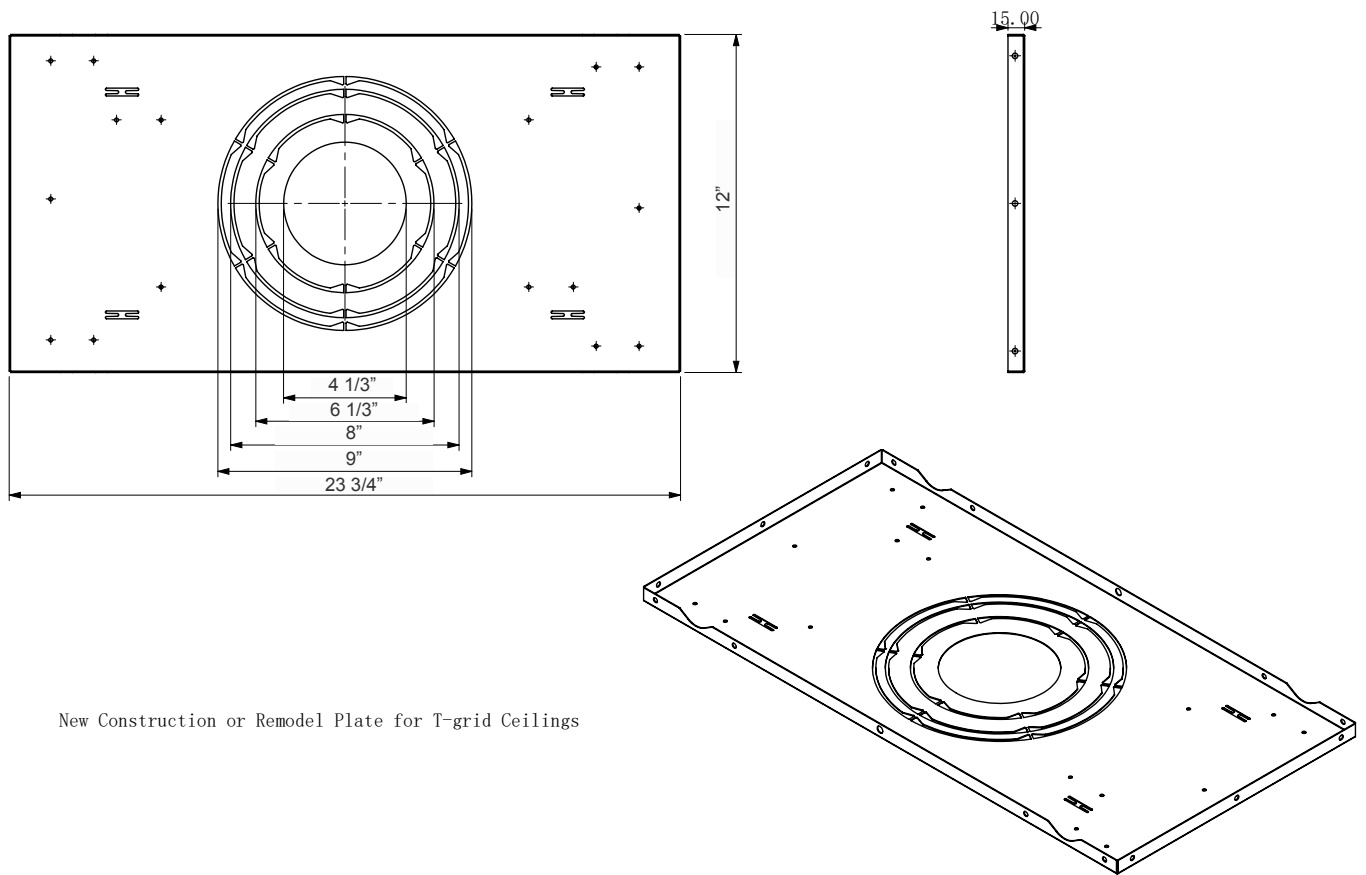
**FACTORY INSTALLED OPTION :**



OPT-EM-CRLB

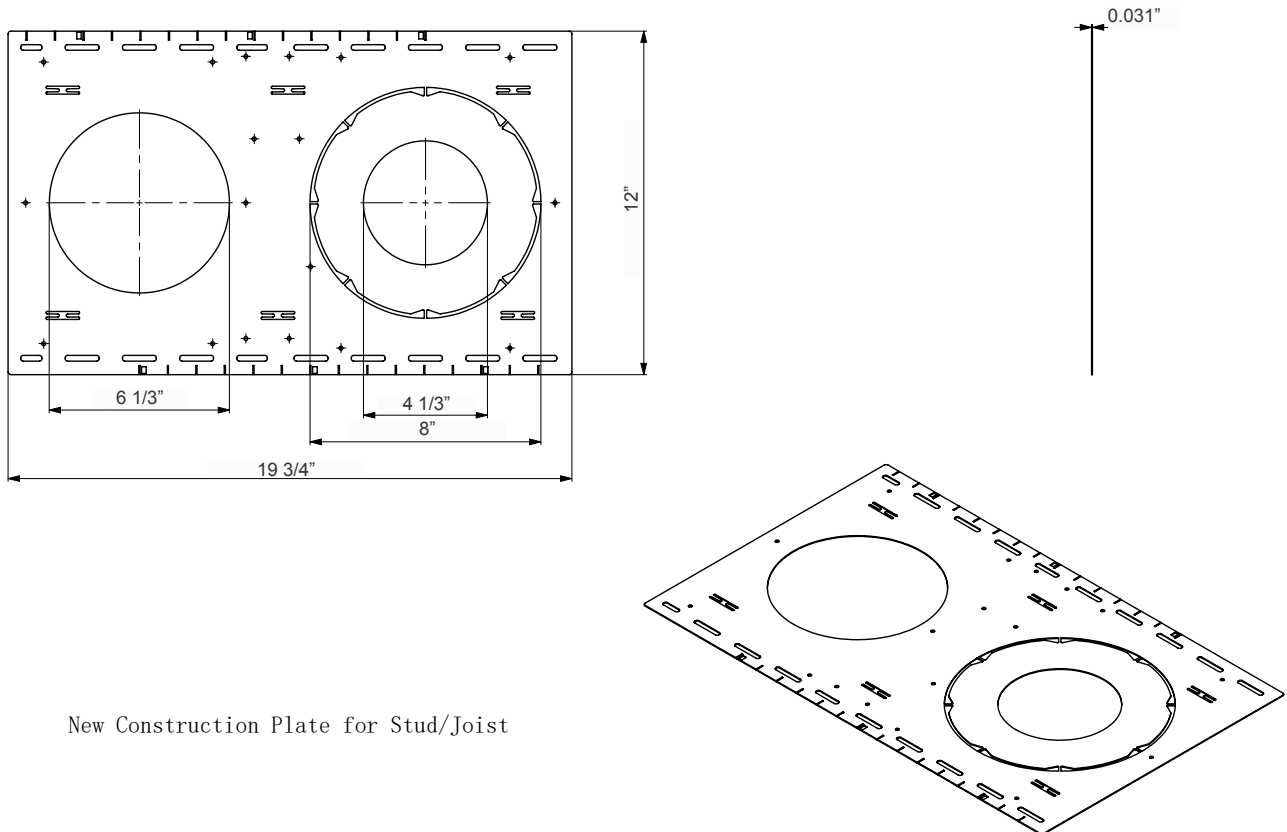


CRLE-RI-TBAR-UNV:



New Construction or Remodel Plate for T-grid Ceilings

CRLE-RI-UNV:



New Construction Plate for Stud/Joist

