



IRONCLAD® GDA

GENERAL DUTY LED AREA LIGHT

The Ironclad® General Duty Area fixture or G.D.A is designed primarily for correctional and behavioral applications. The fixture's extreme low profile and compact housing is made to withstand abuse and features a rimless edge providing a rugged lighting solution.

Manufactured in America with globally and domestically sourced components



Ordering Chart Information

Example: 034-GDA-50-CL-N-VH-PC-00-CB-B1-01

GDA-N-VH-PC-01

| Wattage | | Fixture | CCT | | Mount | | Count/Night Light | Voltage | Lens | Hardware | |
|---------------------------------|------------------|-------------------------------|-----|-------|-------|---------|-------------------|-------------------------------|---------------------|----------|---------------------------|
| | | GDA | | | | | N | VH | PC | | |
| 034 | 34W | GDA General Duty Area | 27 | 2700K | CL | Ceiling | N No | VH 120 to 277 V | PC Polycarbonate | 00 | None |
| 042 | 42W ¹ | | 35 | 3500K | WL | Wall | | | | SA | Spike Anchors |
| | | | 40 | 4000K | | | | | | TB | Tamperproof Bolts/Inserts |
| | | | 50 | 5000K | | | | | | CF | Cinder Block Fasteners |
| | | | | | | | | | | MS | Metal Ceiling Screws |
| Accessory 1 | | | | | | | Accessory 2 | | | Rev | |
| | | | | | | | | | | 01 | |
| 00 | | None | | | | | 00 | None | | 01 | |
| CB | | Corner Box Kit | | | | | B1 | TBD Battery Requires JB or CB | | | |
| JB | | Surface Box Kit | | | | | | | | | |
| P6 | | Plate | | | | | | | | | |
| P9 | | Thick Plate | | | | | | | | | |
| SW | | Sample Whip | | | | | | | | | |
| S2 | | Sample Whip + Sample Hardware | | | | | | | | | |
| Notes: | | | | | | | | | | | |
| 1. Only applicable for P9 plate | | | | | | | | | | | |

For accessories not shown or custom plates, please contact customer service at (800) 223-0853.

Specifications

Lumens: 3100 LM

Watts: 34W

Voltage: 120-277 VAC

Main Light CRI: 70

Night Light CRI: 70

LED Life: L70>54,000 Hours; Projected>100,000 Hours

Lens: Highly impact-resistant 1/4" thick polycarbonate with a minimum IK9 impact rating

Installation: Anchored flush onto ceiling with (8) recessed tamper-proof 1/4" stainless steel bolts or optional spike anchors or cinder block fasteners

Foot Candles: 30 fc at desk height, 15 fc at the floor w/MH 8 ft

Wiring: Hard wired direct to AC current; eliminating failure points via driver

Mounting: .125" aluminum heat sink to maintain thermal management

Dimensions: 13" diameter x 1.94" tall

Specifications Continued

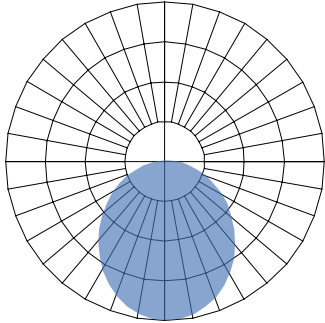
Weight: 5 pounds

Color Temperatures: 5000K, 4000K, 3500K or 2700K

Features: Extreme Durability - hammer & knife tested. IK9. No areas to hide or conceal contraband

Warranty: 5-year limited warranty. Complete warranty terms located [here](#)

Photometric Data

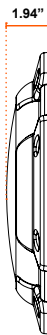
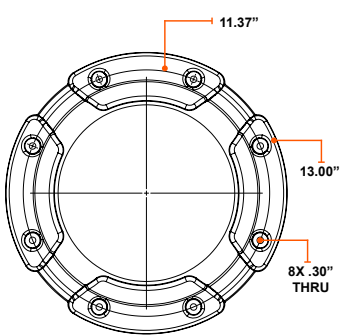


Indoor Report

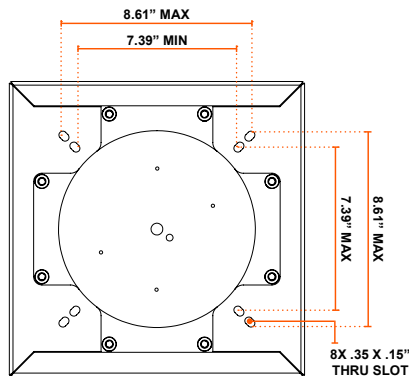
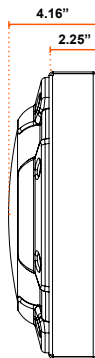
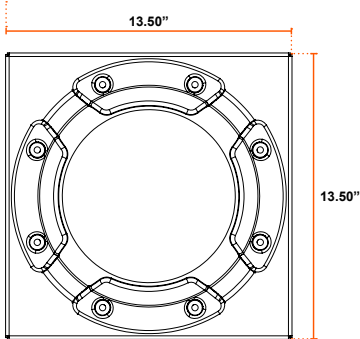
- Maximum Candela = 1119.23
- Luminaire Lumens = 3074

Dimensional Data

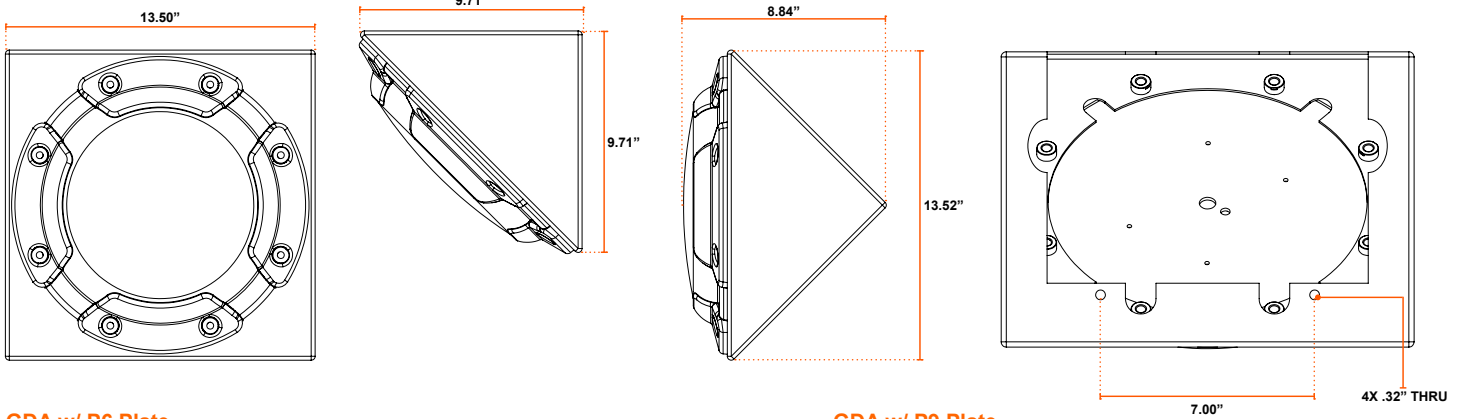
GDA



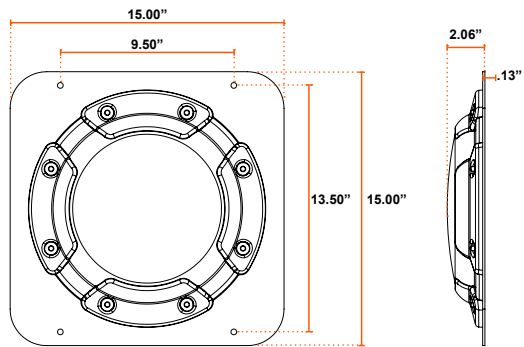
GDA w/ JBox



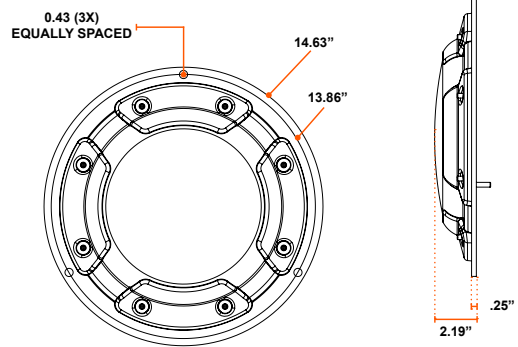
GDA w/ Corner Box



GDA w/ P6 Plate



GDA w/ P9 Plate



Operational Data

Photometric Data 120 VAC - PC Lens

| Watt. | CCT | Lumens | Description | IES File |
|-------|-------|--------|-------------------------------------|-----------------------------|
| 34W | 2700K | 2593 | GDA 34W 2700K CCT PC LENS ON 120VAC | GDA-34W-2700K-PC-120VAC.ies |
| 34W | 3500K | 2672 | GDA 34W 3500K CCT PC LENS ON 120VAC | GDA-34W-3500K-PC-120VAC.ies |
| 34W | 4000K | 2857 | GDA 34W 4000K CCT PC LENS ON 120VAC | GDA-34W-4000K-PC-120VAC.ies |
| 34W | 5000K | 2809 | GDA 34W 5000K CCT PC LENS ON 120VAC | GDA-34W-5000K-PC-120VAC.ies |

Photometric Data 277 VAC - PC Lens

| Watt. | CCT | Lumens | Description | IES File |
|-------|-------|--------|-------------------------------------|-----------------------------|
| 34W | 2700K | 2780 | GDA 34W 2700K CCT PC LENS ON 277VAC | GDA-34W-2700K-PC-277VAC.ies |
| 34W | 3500K | 2862 | GDA 34W 3500K CCT PC LENS ON 277VAC | GDA-34W-3500K-PC-277VAC.ies |
| 34W | 4000K | 3065 | GDA 34W 4000K CCT PC LENS ON 277VAC | GDA-34W-4000K-PC-277VAC.ies |
| 34W | 5000K | 3074 | GDA 34W 5000K CCT PC LENS ON 277VAC | GDA-34W-5000K-PC-277VAC.ies |

Shipping Dimensions

| Product | Length | Width | Height | Weight |
|--------------------------|--------|-------|--------|--------|
| GDA | 16" | 16" | 5" | 5 lbs |
| GDA w/ P6 Plate | 16" | 16" | 5" | 14 lbs |
| GDA w/ P9 Plate | 16" | 16" | 5" | 14 lbs |
| Items Shipped Separately | Length | Width | Height | Weight |
| JB Surface Box Kit | 16" | 16" | 5" | 9 lbs |
| CB Corner Box Kit | 10" | 10" | 14" | 9 lbs |