

Date: \_\_\_\_\_ Location: \_\_\_\_\_  
 Product: \_\_\_\_\_ Project: \_\_\_\_\_  
 Quantity: \_\_\_\_\_ Catalog #: \_\_\_\_\_

## LED Solar Light Post Top Family Series



25W



40W



Mounting Brackets  
(Included)

**CONSTRUCTION:**

Die Cast Aluminum Housing.

**OPTICAL SYSTEM:**

SMD LED chips. 120° beam angle.

**WARRANTY:**

3-year limited warranty. Actual performance may differ as a result of end-user environment and application.

**ELECTRICAL:**

-40°C to 45°C, -40°F to 113°F

**INSTALLATION & MOUNTING:**

Pole Mounting

**CONTROLS & DIMMING:**

Microwave sensor

- Charge Time: 6-7 hours
- Discharge Time: More than 10-12 hours

**FEATURES**

- 5,000K standard – Other CCT available
- IP65 rated
- High efficiency imported silicon solar cell
- No RF interference
- No IR/UV radiation or Mercury pollution
- Environmentally friendly, 70-80% energy saving
- Ternary Li-ion battery (LiFePO4 battery is optional)
- Corrosion and rust proof
- 50,000 hours lifetime

**SUITABLE APPLICATIONS**

- Stadiums
- Area Lighting
- Roadway Lighting
- Parking Lots
- Supermarkets
- Logistic Centers
- Airports
- Campuses



	LOC-SLPT-25W-B1	LOC-SLPT-40W-B2
Solar Panel Dimension	Dia. 15.94" x 1.61" (405mm x 41mm)	Dia. 21.26" x 1.61" (540mm x 41mm)
Frontal Projected Area (m <sup>2</sup> )	0.3	0.4
Drag Coefficient	1.5	1.5
EPA	0.45	0.6

LOC-SLPT-25W-B1						
WATTAGE	SOLAR PANEL POWER	LUMENS	EFFICACY	CCT	RADIATION RANGE	CRI
25W	18V / 30W	3,000LM	120lm/W	5,000K	26.25ft – 32.81ft (8m-10m)	70+

LOC-SLPT-40W-B2						
WATTAGE	SOLAR PANEL POWER	LUMENS	EFFICACY	CCT	RADIATION RANGE	CRI
40W	18V / 45W	5,000LM	120lm/W	5,000K	26.25ft – 32.81 ft (8m-10m)	70+

## CATALOG NUMBER BREAKDOWN

**LOC -SLPT -XXW -BX**

1

2

3

4

1 LED One Corporation

2 Type of Fixture: Solar Light Post Top

3 Wattage

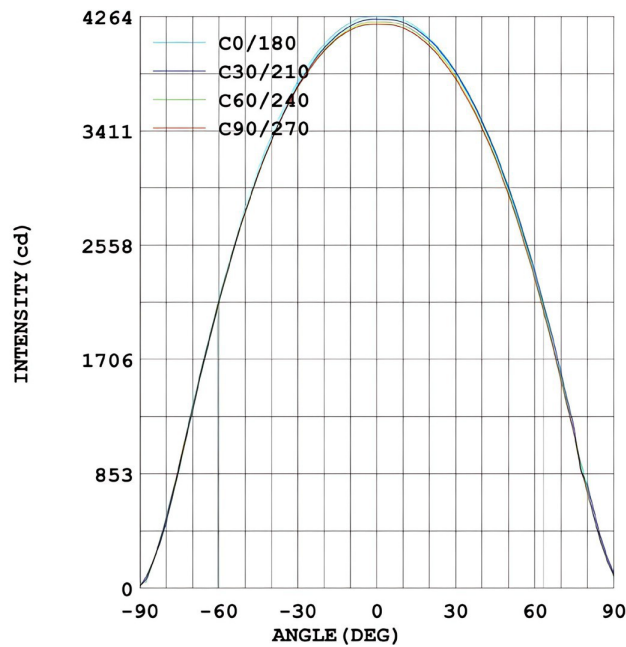
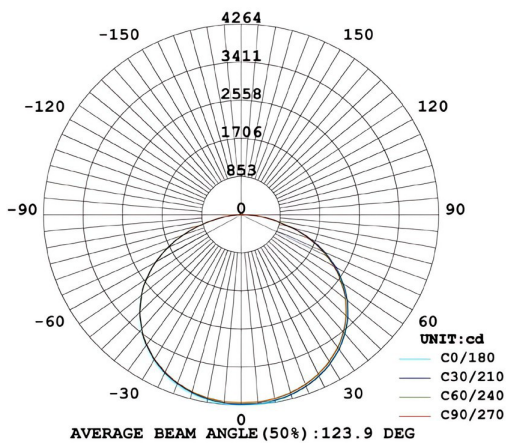
4 Series of Model: B1/B2

3 Wattage

25W

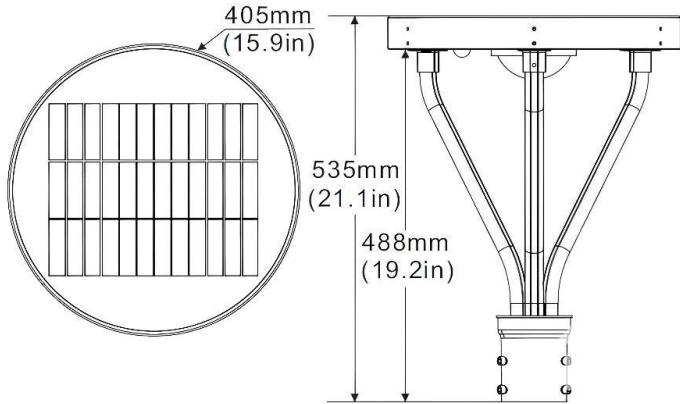
40W

## LUMINOUS INTENSITY DISTRIBUTION

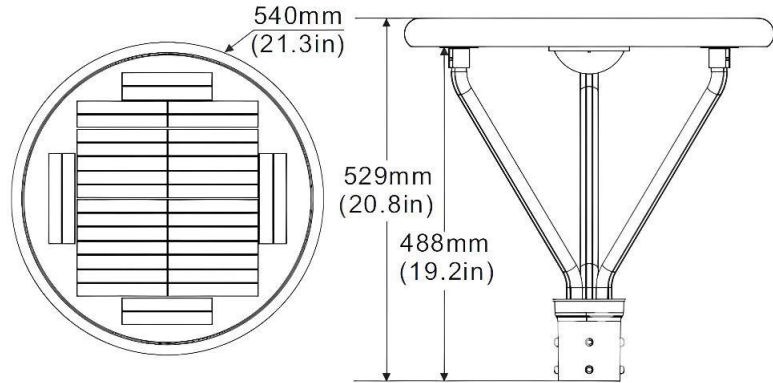


# MEASUREMENTS

25W



40W



MODEL	QTY	NET WEIGHT	MASTER CARTON SIZE	GROSS WEIGHT	PCS CTN	UPC CODE
LOC-SLPT-25W-B1	1	14.33lbs	18.50*18.50*6.69 (470*470*170mm)	17.64lbs	1	
LOC-SLPT-40W-B2	1	20.28lbs	23.23*23.23*6.69 (590*590*170mm)	23.15lbs	1	