

LED Multi Watt Multi CCT Bullet Spot Flood Light



Multi Wattage

Multi CCT

On/Off Photocell

CONSTRUCTION:

Die-cast Aluminum housing with polyester powder-coated finish.

OPTICAL SYSTEM:

Samsung LED chips. High quality tempered glass optics. 7H*7V beam type.

WARRANTY:

5-year limited warranty. Actual performance may differ as a result of end-user environment and application.

ELECTRICAL:

Available as 120-347V input.

-40°C to 50°C, -40°F to 122°F

INSTALLATION & MOUNTING:

Knuckle mount.

DIMMING:

0-10V dimming.

FEATURES

- Default Wattage: 30W
- Default CCT: 5,000K
- IP66 rated
- Easy installation and maintenance
- No Mercury or UV
- Photocell included (ON/OFF switch area)
- 50,000 hours lifetime

SUITABLE APPLICATIONS

- Shopping Malls
- Flag Poles
- Yards

DLC Product ID:

- LOC-BSF-MW(10.5/20/30)MCCT(30/40/50)D – S-G3C90N

MOUNTING OPTION:



Knuckle Mount



OPTIONAL ACCESSORIES:



Lens Changing Tool



15° lens



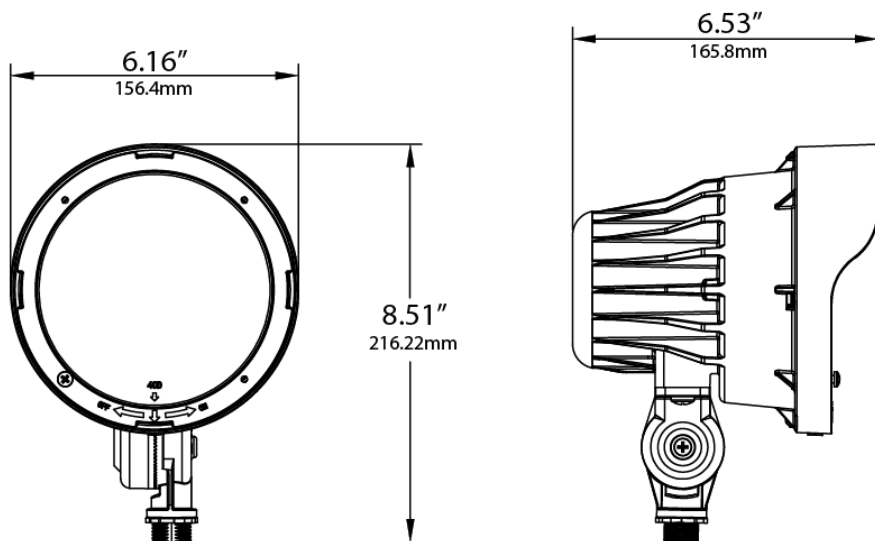
25° lens



LOC-BSF-MW(10.5/20/30)MCCT(30/40/50)D

WATTAGE SELECTABLE	CCT SELECTABLE	LUMENS	EFFICACY	VOLTAGE	CRI	POWER FACTOR	THD	REPLACES
10.5W	3000K / 4000K / 5000K	1,396.5LM	133lm/W	120-347V	83	0.9	20%	
20W	3000K / 4000K / 5000K	2,660LM	133lm/W	120-347V	83	0.9	20%	
30W	3000K / 4000K / 5000K	3,990LM	133lm/W	120-347V	83	0.9	20%	

MEASUREMENTS



MODEL	QUANTITY	WEIGHT	UPC CODE
LOC-FL-MW(35/50/60)MCCT(30/40/50)	1	2.87 lbs	00810050942584

