

LED LOC-ALAL Area Light Family Series



50W / 80W / 100W / 150W



180W / 200W / 240W / 320W

CONSTRUCTION:

Bronze die-cast aluminum housing treated by anodic oxidation.

OPTICAL SYSTEM:

Lumileds 2835 LED chips. 120° beam angle.

WARRANTY:

5-year limited warranty. Actual performance may differ as a result of end-user environment and application.

ELECTRICAL:

Available as 120-277V or 347-480V input. 10KV surge protection. -40°C to 40°C, -40°F to 104°F

INSTALLATION & MOUNTING:

Pole Mounting - Extruded Adjustable Arm, Adjustable Slip Fitter or Trunnion.

CONTROLS & DIMMING:

0-10V dimming comes standard. Motion sensor, photocell and remote-control options available.

FEATURES

- Default Wattages:
 - 150W
 - 320W
- Default CCT: 5,000K
- Default Lens: Type III
- IP66 rated
- Full cut off
- Easy installation and maintenance
- Corrosion and rust proof
- 50,000 hours lifetime
- Title 24 compliant when used with a motion sensor

SUITABLE APPLICATIONS

- Warehouses
- Stadiums
- Factories
- Parking Lots
- Supermarkets
- Logistic Centers
- Exhibition Halls

MOUNTING OPTIONS:



Adjustable Arm



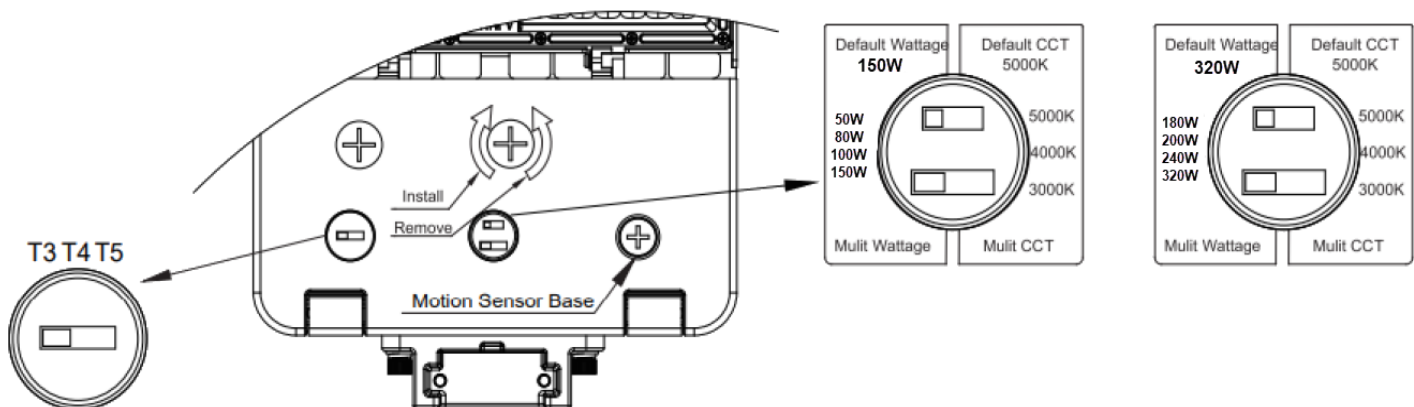
Trunnion



Adjustable Slip Fitter

DLC Product ID:

- LOC-ALAL-MW(50/80/100/150)MCCT(30/40/50)-LV – S-PGMYQV
- LOC-ALAL-MW(180/200/240/320)MCCT(30/40/50)-LV – S-ZFN0WF
- LOC-ALAL-MW(50/80/100/150)MCCT(30/40/50)-HV – S-7524QT
- LOC-ALAL-MW(180/200/240/320)MCCT(30/40/50)-HV – S-Z2YLMN



LOC-ALAL-MW(50/80/100/150)MCCT(30/40/50)-LV

WATTAGE SELECTABLE	CCT SELECTABLE	LUMENS	EFFICACY	VOLTAGE	CRI	POWER FACTOR	THD	REPLACES
50W	3000K / 4000K / 5000K	7,299.5LM	145.99lm/W	120-277V	83	0.9	15%	175W – 600W HID
80W	3000K / 4000K / 5000K	11,679.2LM	145.99lm/W	120-277V	83	0.9	15%	175W – 600W HID
100W	3000K / 4000K / 5000K	14,599LM	145.99lm/W	120-277V	83	0.9	15%	175W – 600W HID
150W	3000K / 4000K / 5000K	21,898.5LM	145.99lm/W	120-277V	83	0.9	15%	175W – 600W HID

LOC-ALAL-MW(180/200/240/320)MCCT(30/40/50)-LV

WATTAGE SELECTABLE	CCT SELECTABLE	LUMENS	EFFICACY	VOLTAGE	CRI	POWER FACTOR	THD	REPLACES
180W	3000K / 4000K / 5000K	26,208LM	145.6lm/W	120-277V	83	0.9	15%	600W – 1,000W HID
200W	3000K / 4000K / 5000K	29,120LM	145.6lm/W	120-277V	83	0.9	15%	600W – 1,000W HID
240W	3000K / 4000K / 5000K	34,944LM	145.6lm/W	120-277V	83	0.9	15%	600W – 1,000W HID
320W	3000K / 4000K / 5000K	46,592LM	145.6lm/W	120-277V	83	0.9	15%	600W – 1,000W HID

LOC-ALAL-MW(50/80/100/150)MCCT(30/40/50)-HV

WATTAGE SELECTABLE	CCT SELECTABLE	LUMENS	EFFICACY	VOLTAGE	CRI	POWER FACTOR	THD	REPLACES
50W	3000K / 4000K / 5000K	7,390LM	147.8lm/W	277-480V	83	0.9	15%	175W – 600W HID
80W	3000K / 4000K / 5000K	11,824LM	147.8lm/W	277-480V	83	0.9	15%	175W – 600W HID
100W	3000K / 4000K / 5000K	14,780LM	147.8lm/W	277-480V	83	0.9	15%	175W – 600W HID
150W	3000K / 4000K / 5000K	22,170LM	147.8lm/W	277-480V	83	0.9	15%	175W – 600W HID

LOC-ALAL-MW(180/200/240/320)MCCT(30/40/50)-HV

WATTAGE SELECTABLE	CCT SELECTABLE	LUMENS	EFFICACY	VOLTAGE	CRI	POWER FACTOR	THD	REPLACES
180W	3000K / 4000K / 5000K	26,557.2LM	147.54lm/W	277-480V	83	0.9	15%	600W – 1,000W HID
200W	3000K / 4000K / 5000K	29,508LM	147.54lm/W	277-480V	83	0.9	15%	600W – 1,000W HID
240W	3000K / 4000K / 5000K	35,408.6LM	147.54lm/W	277-480V	83	0.9	15%	600W – 1,000W HID
320W	3000K / 4000K / 5000K	47,212.8LM	147.54lm/W	277-480V	83	0.9	15%	600W – 1,000W HID

OPTIONAL ACCESSORIES:



Microwave Sensor
LOC-ACY-S-MWS-01-G1
(Compatible with LOC-RC-WHITE-G1)



Microwave Bluetooth Sensor
LOC-ACY-S-MWS-BT-01-G1
(Compatible with App)



PIR Sensor
LOC-ACY-S-PIRS-01-G1
(Compatible with LOC-RC-WHITE-G1)



PIR Bluetooth Sensor
LOC-ACY-S-PIRS-BT-01-G1
(Compatible with App)

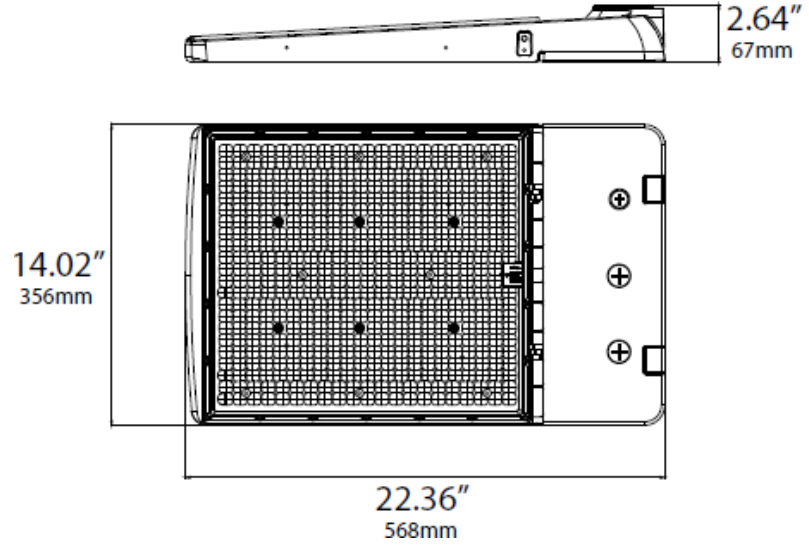
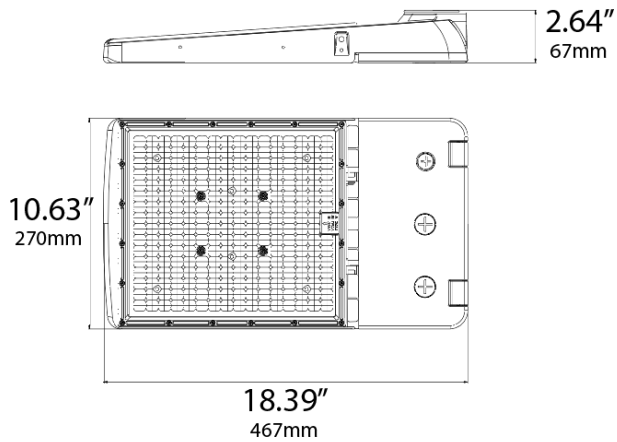


Remote Control
LOC-RC-WHITE-G1

MEASUREMENTS

50W / 80W / 100W / 150W

180W / 200W / 240W / 320W



ORDERING INFORMATION

MODEL	QTY	NET WEIGHT	MASTER CARTON SIZE	GROSS WEIGHT	PCS CTN	UPC CODE
LOC-ALAL-MW(50/80/100/150)MCCT(30/40/50)-LV	1	9.28lbs	23.43" x 12.6" x 4.65"	11.16lbs	1	00810050947855
LOC-ALAL-MW(180/200/240/320)MCCT(30/40/50)-LV	1	12.79lbs	27.56" x 15.98" x 4.65"	15.54lbs	1	00810050947879
LOC-ALAL-MW(50/80/100/150)MCCT(30/40/50)-HV	1	9.28lbs	23.43" x 12.6" x 4.65"	11.16lbs	1	00810050947862
LOC-ALAL-MW(180/200/240/320)MCCT(30/40/50)-HV	1	12.79lbs	27.56" x 15.98" x 4.65"	15.54lbs	1	00810050947886

CATALOG NUMBER BREAKDOWN

LOC-ALAL-MW(XX/XX/XX/XX) MCCT(XX/XX/XX)-LV/HV

1

2

3

4

5

6

1 LED One Corporation

2 Series of Model

3 Type of Fixture: Area Light

4 Wattage Selection

5 Color Temp Selection

6 Voltage Selection

4 Wattage Selection

150W Model:
(50/80/100/150W Selectable)

320W Model:
(180/200/240/320W Selectable)

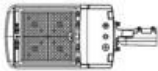


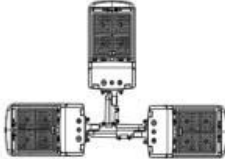
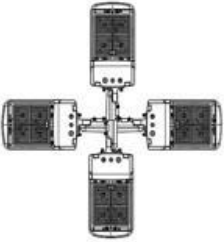
5 Color Temp Selection

Multi CCT
(3000/4000/5000K Selectable)

6 Voltage Selection

LV: 120 to 277VAC
HV: 277 to 480VAC

EPA rating for 150W

Installation angle					
AM	0.680	1.360	0.830	1.360	1.360
DM	1.460	2.920	1.780	2.920	2.920
AM/45°	1.260	2.530	1.520	2.530	2.530
DM/45°	0.910	3.670	2.240	3.670	3.670

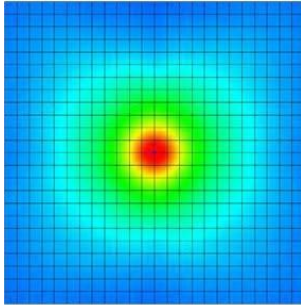
EPA rating for 320W

AM	0.790	1.580	0.980	1.580	1.580
DM	1.67	3.33	2.12	3.33	3.33
AM/45°	1.460	2.920	1.820	2.920	2.920
DM/45°	2.1	4.19	2.67	4.19	4.19

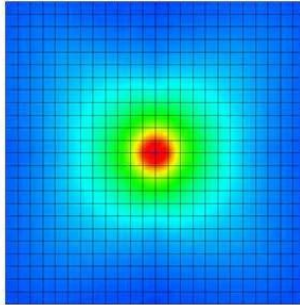
LIGHT DISTRIBUTION PATTERN

Spacing of each square is 10ft*10ft

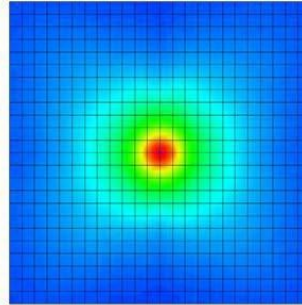
150W-T5
Mounting height: 20FT



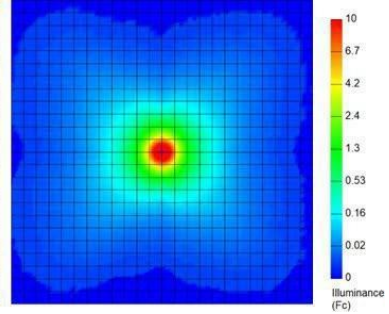
100W-T5
Mounting height: 15FT



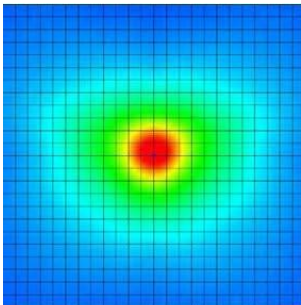
80W-T5
Mounting height: 15FT



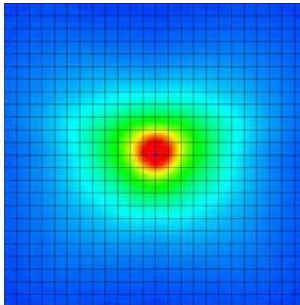
50W-T5
Mounting height: 10FT



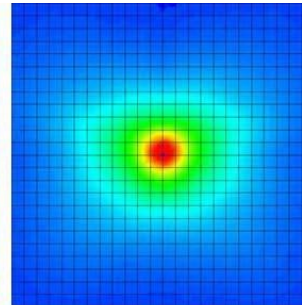
150W-T4
Mounting height: 20FT



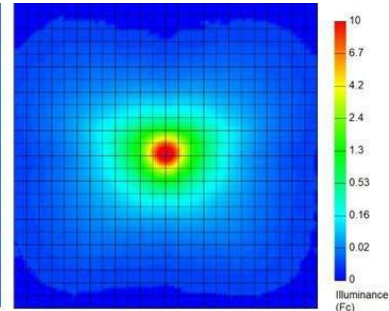
100W-T4
Mounting height: 15FT



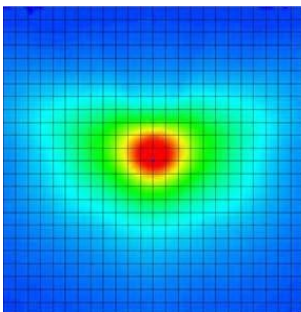
80W-T4
Mounting height: 15FT



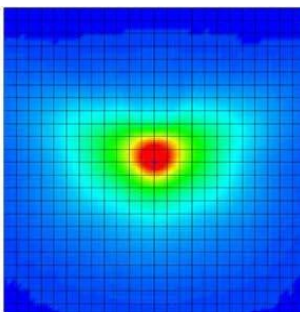
50W-T4
Mounting height: 10FT



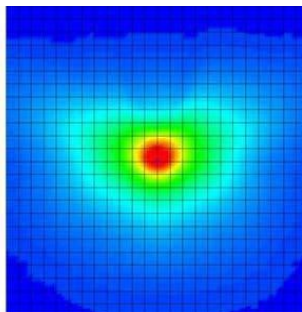
150W-T3
Mounting height: 20FT



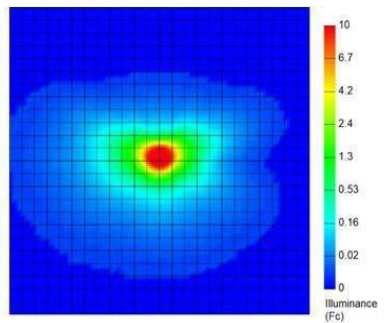
100W-T3
Mounting height: 15FT



80W-T3
Mounting height: 15FT



50W-T3
Mounting height: 10FT



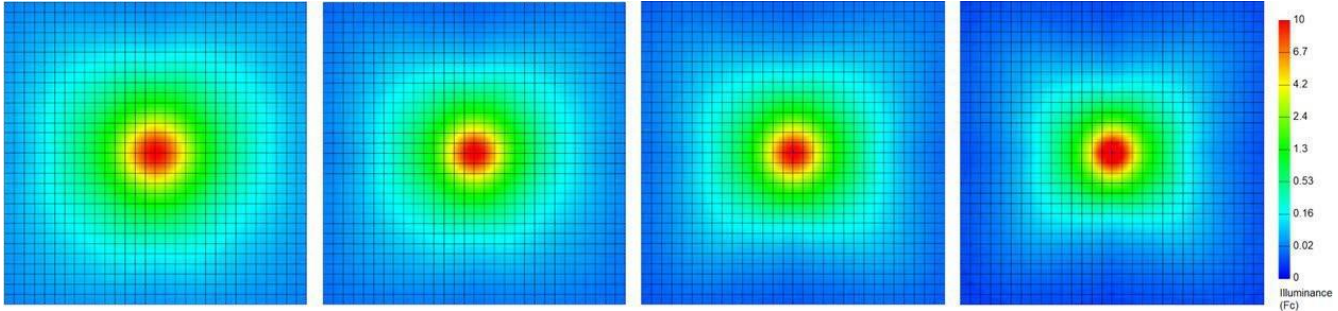
Spacing of each square is 10ft*10ft

320W-T5
Mounting height: 30FT

240W-T5
Mounting height: 25FT

200W-T5
Mounting height: 25FT

180W-T5
Mounting height: 20FT

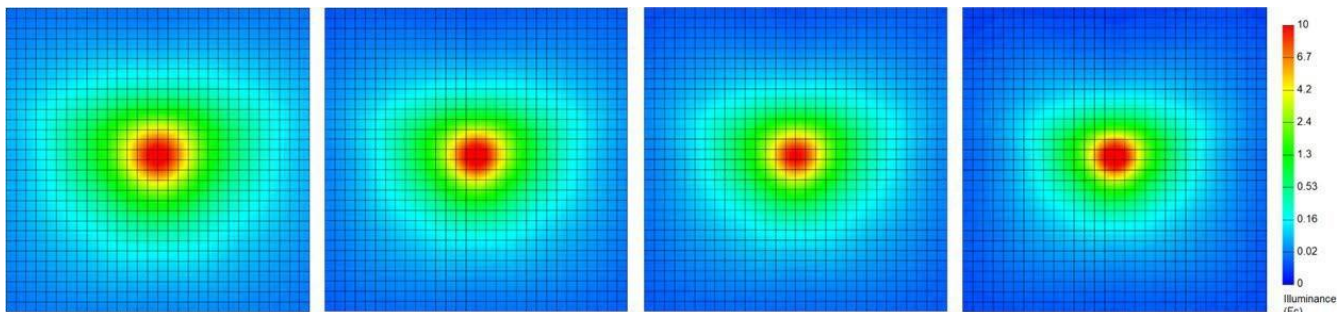


320W-T4
Mounting height: 30FT

240W-T4
Mounting height: 25FT

200W-T4
Mounting height: 25FT

180W-T4
Mounting height: 20FT



320W-T3
Mounting height: 30FT

240W-T3
Mounting height: 25FT

200W-T3
Mounting height: 25FT

180W-T3
Mounting height: 20FT

