

Date: _____ Location: _____
 Product: _____ Project: _____
 Quantity: _____ Catalog #: _____

LED Solar Street Light A3 Series



30W



40W

CONSTRUCTION:

Metal Alloy Housing, Solar Panel, PC Lens

OPTICAL SYSTEM:

SMD LED chips. 120° beamangle.

WARRANTY:

3-year limited warranty. Actual performance may differ as a result of end-user environment and application.

ELECTRICAL:

-40°C to 45°C, -40°F to 113°F

INSTALLATION & MOUNTING:

Round pole mounting/Bracket mounting/
Aluminum sleeve mounting

CONTROLS & DIMMING:

Microwave sensor

- Charge Time: 6-8 hours (with enough strong shine)
- Discharge Time: More than 12 hours

FEATURES

- 5,000K standard—Other CT available
- IP65 rated
- High efficiency single silicon solar panel
- Pollution-free, noise-free
- Environmentally friendly
- Lithium iron phosphate battery
- Heat dissipation performance
- Waterproof
- 50,000 hours lifetime

SUITABLE APPLICATIONS

- Street
- Courtyard
- Campus
- Parking lots
- Stadium
- Roadway
- Logistic Centers
- Airports



Highlight LED



Single Silicon Solar Panel



Lithium Iron Phosphate Battery



Heat Dissipation Performance



Waterproof



Remote Control



	LOC-SSL-30W-A3	LOC-SSL-40W-A3
Frontal Projected Area (m ²)	0.65	0.7
Drag Coefficient	1.7	1.8
EPA (m ²)	1.105	1.26

LOC-SSL-30W-A3

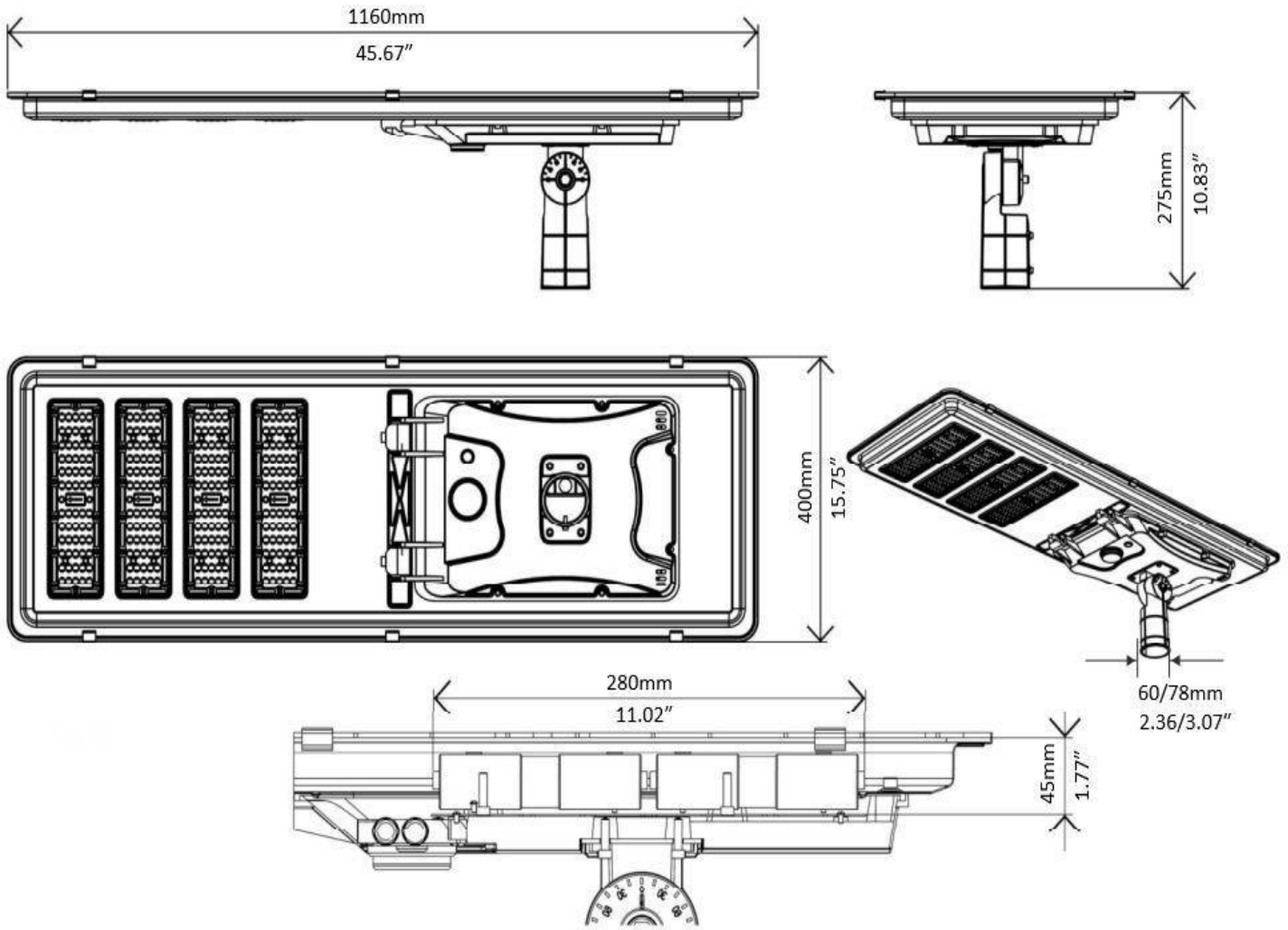
WATTAGE	SOLAR PANELPOWER	LUMENS	EFFICACY	CCT	RADIATION RANGE	CRI
30W	18V/80W	5,564LM	185.47LM/W	5,000K	60m ²	70+

LOC-SSL-40W-A3

WATTAGE	SOLAR PANELPOWER	LUMENS	EFFICACY	CCT	RADIATION RANGE	CRI
40W	18V/100W	6,409LM	160.23LM/W	5,000K	80m ²	70+

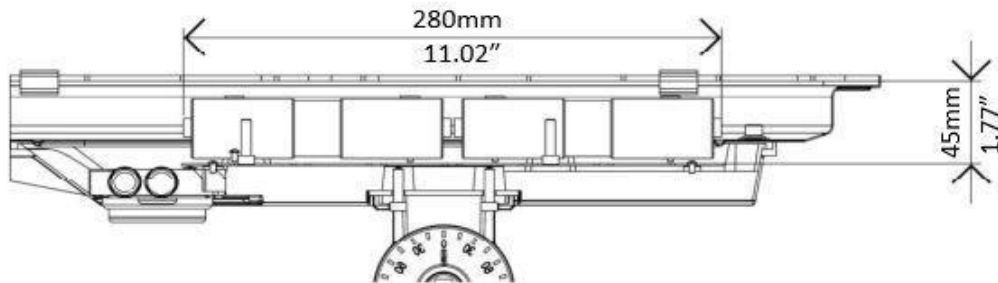
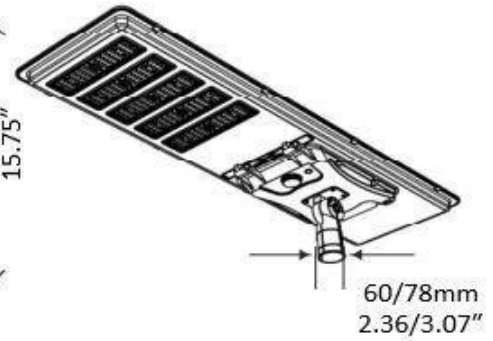
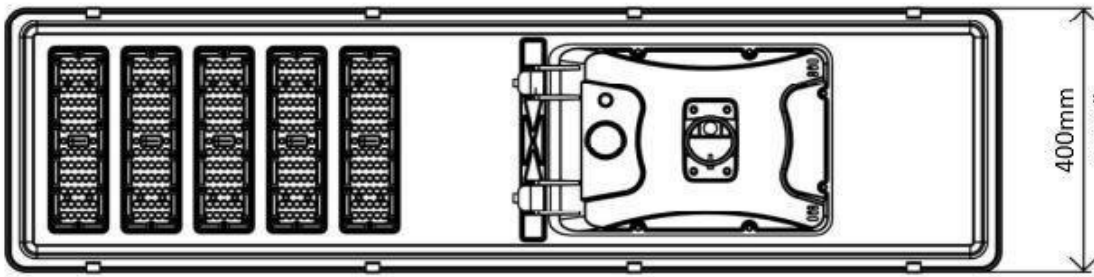
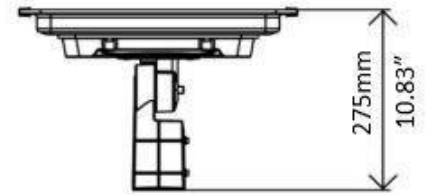
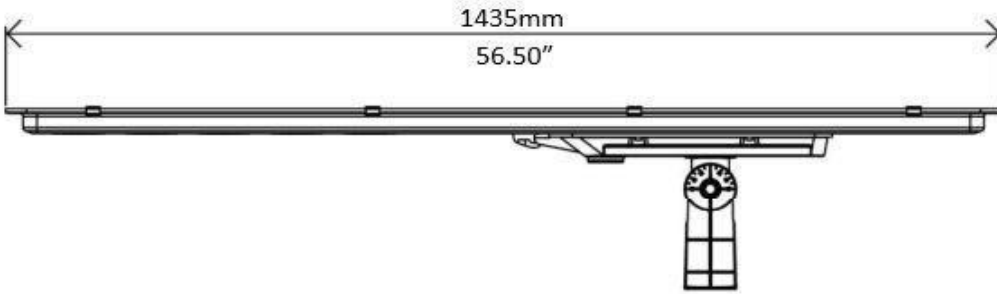
MEASUREMENTS

30W



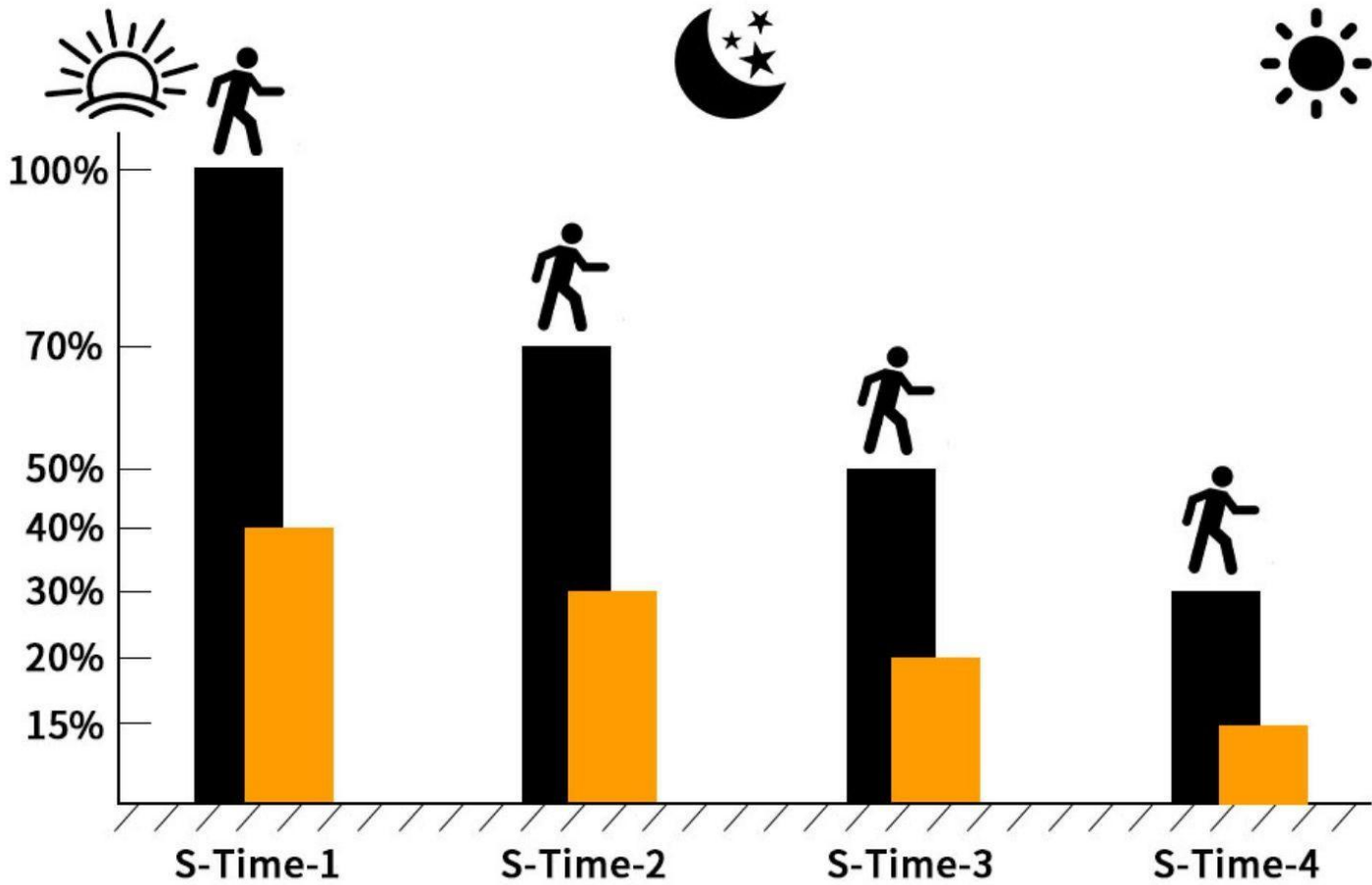
MEASUREMENTS

40W



WORKING MODE

FACTORY DEFAULT WORKING MODE

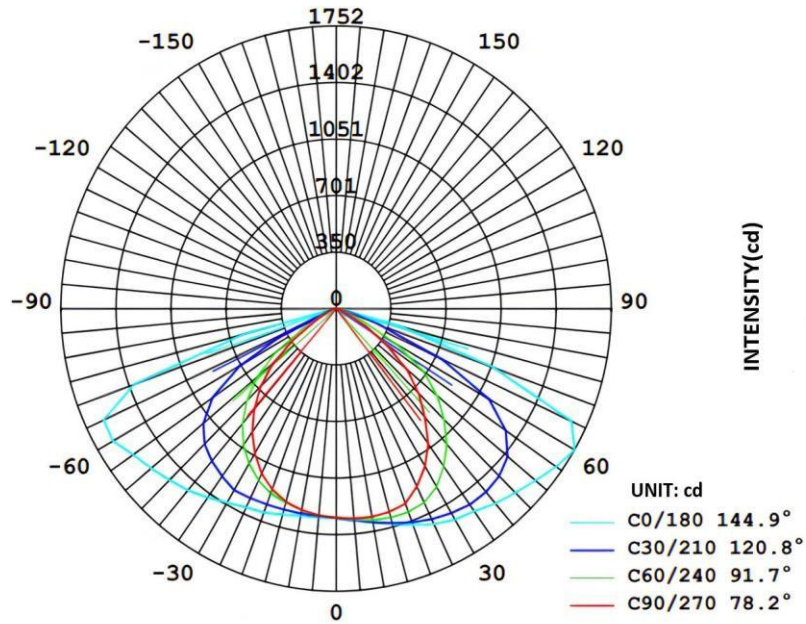


	S-Time-1	S-Time-2	S-Time-3	S-Time-4
Working Hours	0.5h	1.5h	3h	6h
Detected	100%	70%	50%	30%
Not Detected	40%	30%	20%	15%
Light Up For 30 Seconds When Detected				

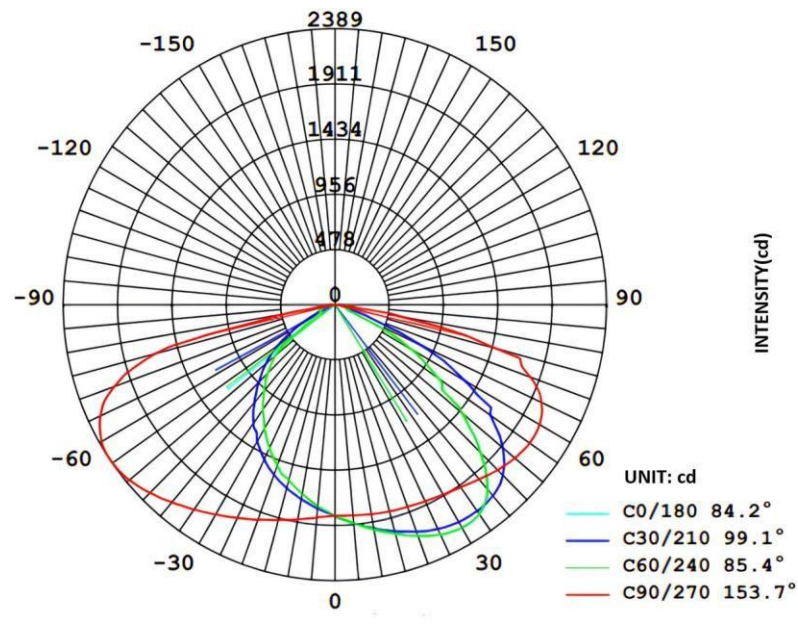
LUMINOUS INTENSITY DISTRIBUTION

30W

40W



AVERAGE BEAM ANGLE(50%): 108.9 DEG



AVERAGE BEAM ANGLE(50%): 105.6 DEG

MODEL	QTY	NET WEIGHT	MASTER CARTON SIZE	GROSS WEIGHT	PCS CTN	UPC
LOC-SSL-30W-A3	1	31.97lbs	51.57*17.72*4.53in (1310*450*115mm)	34.17lbs	1	
LOC-SSL-40W-A3	1	35.27lbs	62.40*17.72*4.53in (1585*450*115mm)	38.58lbs	1	