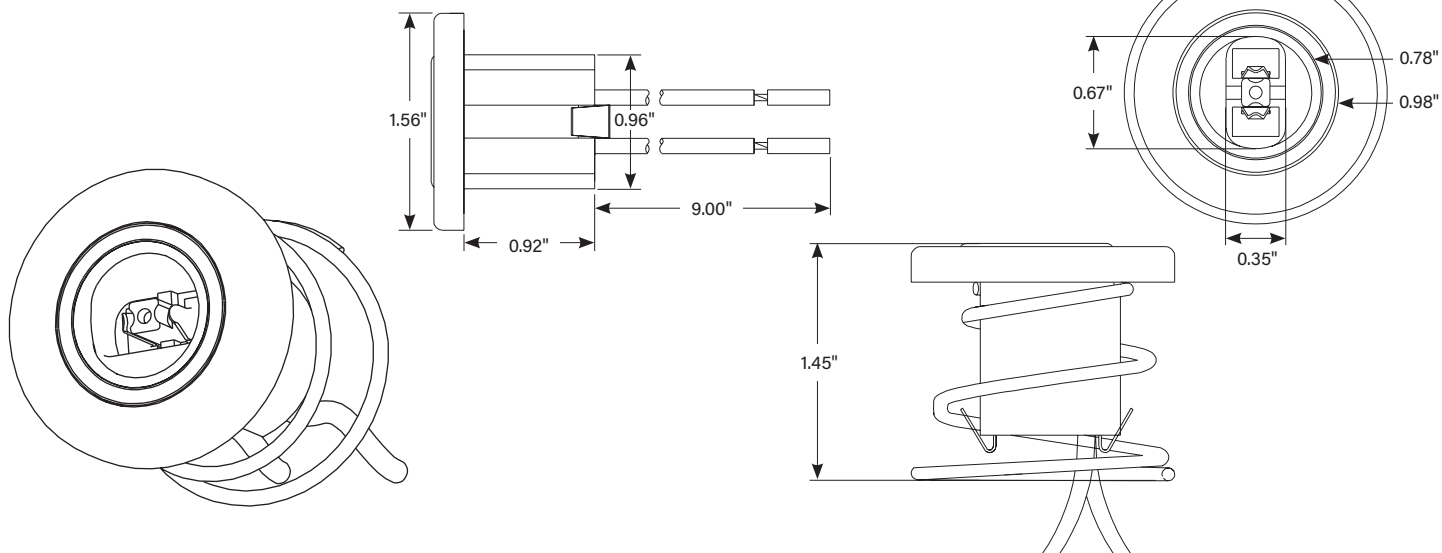


# RECESSED DOUBLE CONTACT SOCKET

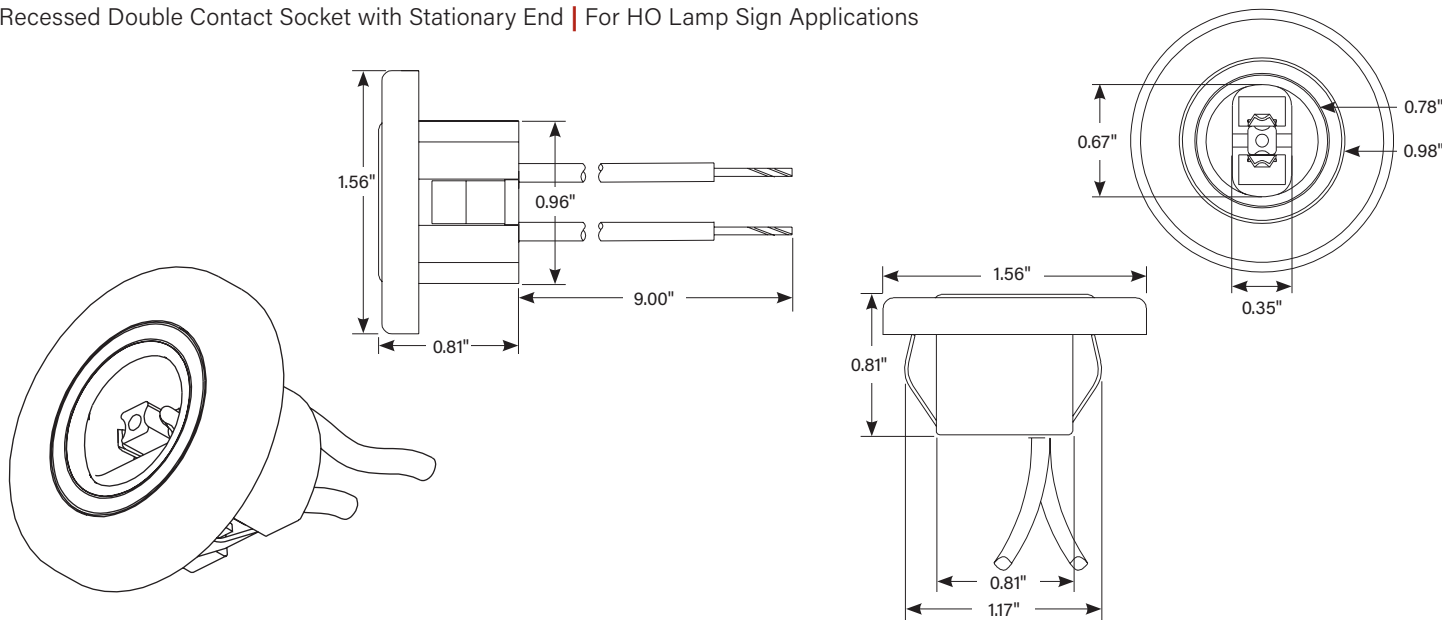
## KT-SOCKET-RDC-SPR-SIGN-1

Recessed Double Contact Socket with Spring End | For HO Lamp Sign Applications



## KT-SOCKET-RDC-SE-SIGN-1

Recessed Double Contact Socket with Stationary End | For HO Lamp Sign Applications





# RECESSED DOUBLE CONTACT SOCKET

## ORDERING INFORMATION

Catalog Number	Carton QTY	UPC	Easy Code
KT-SOCKET-RDC-SPR-SIGN-1	1pcs	843654141763	VWC-84
KT-SOCKET-RDC-SE-SIGN-1	1pcs	843654141770	TWZ-03

## CATALOG NUMBER BREAKDOWN

# KT-SOCKET-RDC-SPR-SIGN-1

1 2 3 4 5 6

- 1 Keystone Technologies
- 2 Socket
- 3 Recessed Double Contact
- 4 Spring End
- 5 Lamp Sign Applications
- 6 Construction Type Designation

# KT-SOCKET-RDC-SE-SIGN-1

1 2 3 4 5 6

- 1 Keystone Technologies
- 2 Socket
- 3 Recessed Double Contact
- 4 Stationary End
- 5 Lamp Sign Applications
- 6 Construction Type Designation