



PRODUCT OVERVIEW

This cylinder architectural series is elegant and functional. With different mounting options and CCT selectable, the fixtures provides high flexibility for all environments. The high performance LEDs and long lasting driver also provides effective lighting all around.



KEY FEATURES

LISTING

- UL- and CUL-listed

HOUSING

- Aluminium alloy body

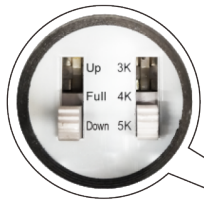
FINISH

UV stabilized powder coated finish for outdoor

APPLICATIONS

	Supermarkets & Retail
	Hotels & Restaurants
	Commercial Buildings
	Schools & Colleges
	Offices & Showrooms

PRODUCT DESCRIPTION



FAO Controller
Easy access to uplight and downlight switch. Smart control switch for CCT selectable.

Mounting Option
Different mounting option suitable for all environment.



Photocontrol
Easy access to photocell switch.



Quick Mount Plate
Included Quick Mount Plate for easy and contractor friendly installation.



Downlight

Uplight

Up & Down



• Different LED Kelvin temperature available with 4-6 week lead time. Please call for a quote. •DISCLAIMER: This test report was produced in accordance with IES LM-79 photometric testing protocol for luminaires, using a single representative test fixture. Actual production units may vary from the values reported here by up to ±10%.

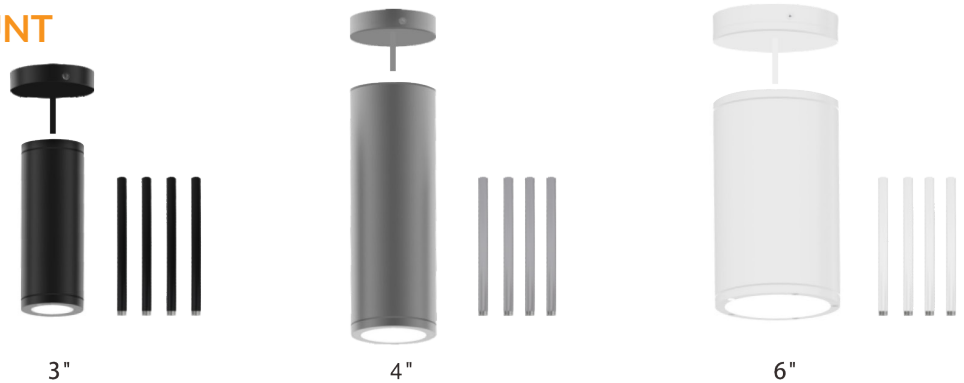
MOUNTING OPTIONS

WALL MOUNT



CABLE SUSPENSION MOUNT

Optional four 12"
connectable stems
(4' total)
UNF 5/8" Pipes



CEILING MOUNT



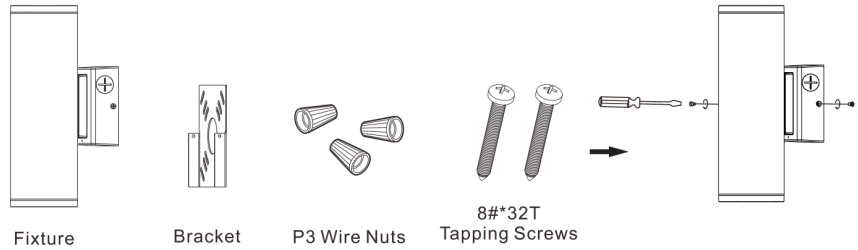
DIRECT MOUNT



• Different LED Kelvin temperature available with 4-6 week lead time. Please call for a quote. •DISCLAIMER: This test report was produced in accordance with IES LM-79 photometric testing protocol for luminaires, using a single representative test fixture. Actual production units may vary from the values reported here by up to ±10%.

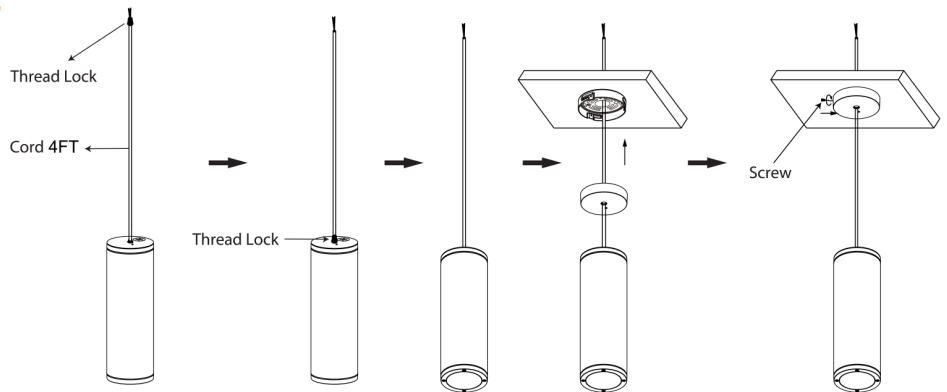
INSTALLATION METHOD

WALL MOUNT

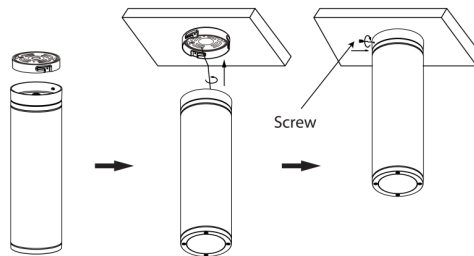


CABLE SUSPENSION MOUNT

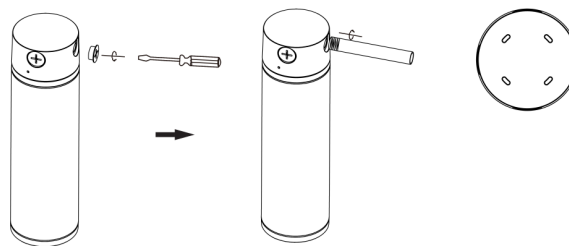
Optional four 12" connectable stems (4' total)



CEILING MOUNT



DIRECT MOUNT



• Different LED Kelvin temperature available with 4-6 week lead time. Please call for a quote. •DISCLAIMER: This test report was produced in accordance with IES LM-79 photometric testing protocol for luminaires, using a single representative test fixture. Actual production units may vary from the values reported here by up to ±10%.

PERFORMANCE DATA

Model No.	Nominal Watts**	Lumen**	Efficacy**	Angle
DLED-3815W	13W	1559 lm**	126 lm/W**	45° / 75° * *45° is only exclusive for 4225 and 6040 series
DLED-4225W	20W	2542 lm**	130 lm/W**	
DLED-6040W	33W	4571 lm**	147 lm/W**	
DLED-3815C/P	13W	1670 lm**	125 lm/W**	
DLED-4225C/P	20W	2485 lm**	120 lm/W**	
DLED-6040C/P	33W	4825 lm**	140 lm/W**	
DLED-4225D	20W	2485 lm**	120 lm/W**	
DLED-6040D	33W	4825 lm**	140 lm/W**	

** Lumen and Efficacy are based on highest wattage 5000K at 75° Angle

SPECIFICATIONS

Example: DLED-Cylinder

Model No.	Nominal Watts**	Input Voltage	CRI	Color Temp*	Angle	Optional Accessories	Finish	Starting Temp
DLED-3815W	13=13W	UNV=120-277V	8=80+	TX =	45°	R = 4ft (4x12") connectable stems and base for Pendant Mount	WH=White BK=Black GY=Gray	-40°C
DLED-4225W	20=20W			3000K	75°			
DLED-6040W	33=33W			4000K				
DLED-3815C/P	13=13W			5000K				
DLED-4225C/P	20=20W							
DLED-6040C/P	33=33W							
DLED-4225D	20=20W							
DLED-6040D	33=33W							

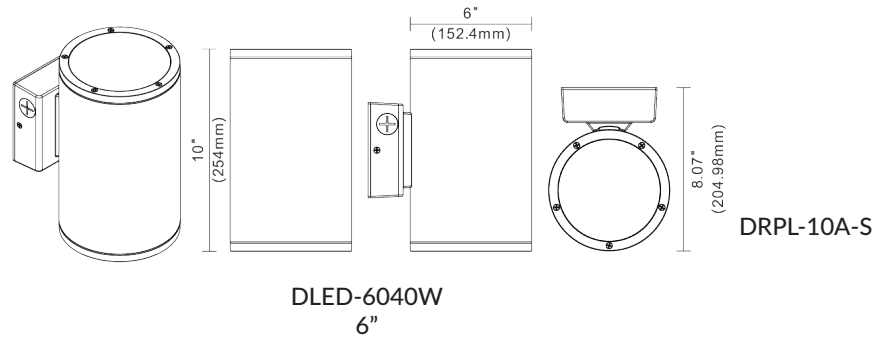
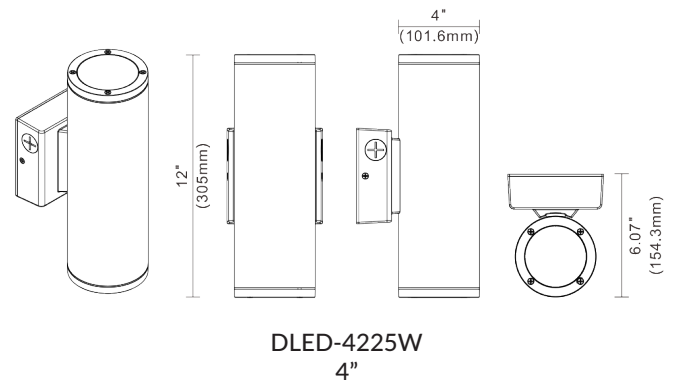
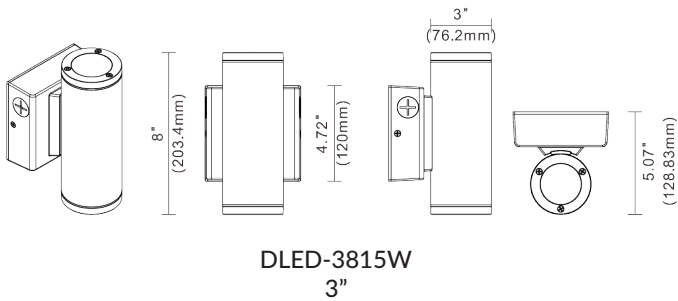
45° is only exclusive for 4225 and 6040 series



* Different LED Kelvin temperature available with 4-6 week lead time. Please call for a quote. **DISCLAIMER: This test report was produced in accordance with IES LM-79 photometric testing protocol for luminaires, using a single representative test fixture. Actual production units may vary from the values reported here by up to ±10%.

DIMENSIONS

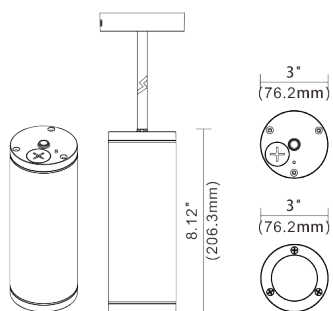
WALL MOUNT



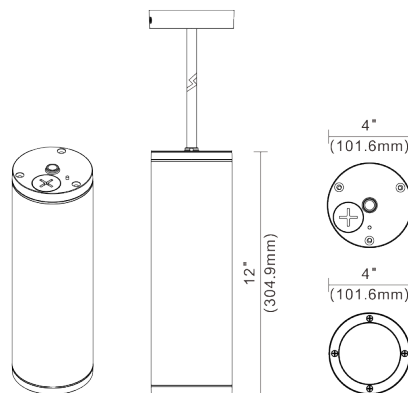
• Different LED Kelvin temperature available with 4-6 week lead time. Please call for a quote. •DISCLAIMER: This test report was produced in accordance with IES LM-79 photometric testing protocol for luminaires, using a single representative test fixture. Actual production units may vary from the values reported here by up to ±10%.

DIMENSIONS

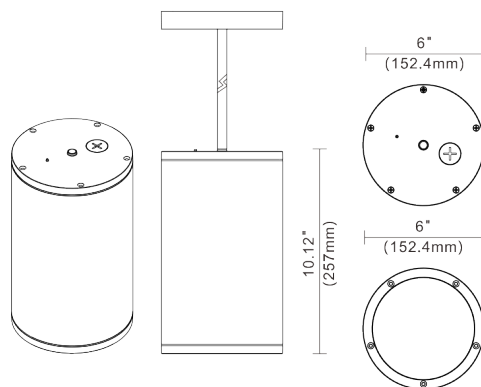
CABLE SUSPENSION MOUNT



DLED-3815C/P
3"



DLED-4225C/P
4"



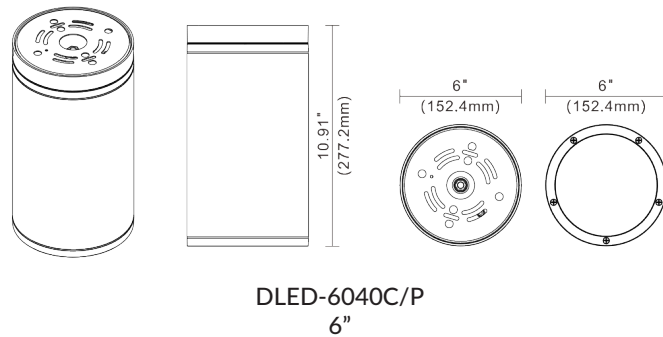
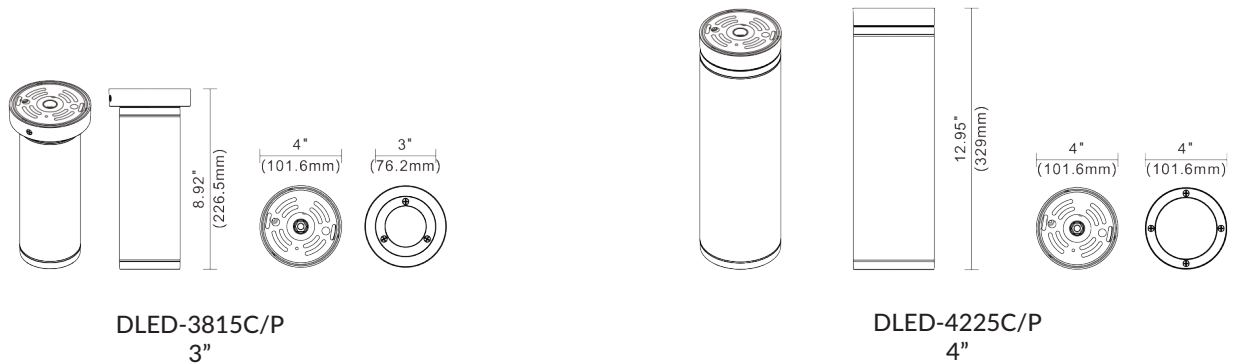
DLED-6040C/P
6"



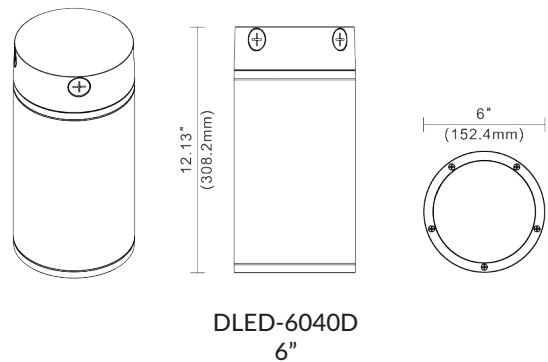
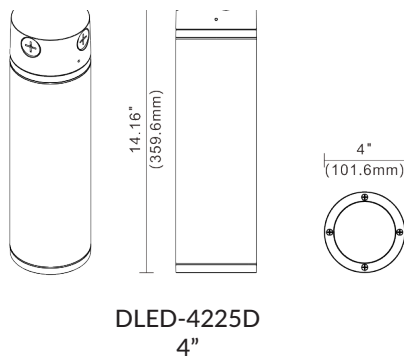
• Different LED Kelvin temperature available with 4-6 week lead time. Please call for a quote. •DISCLAIMER: This test report was produced in accordance with IES LM-79 photometric testing protocol for luminaires, using a single representative test fixture. Actual production units may vary from the values reported here by up to ±10%.

DIMENSIONS

CEILING MOUNT



DIRECT MOUNT



• Different LED Kelvin temperature available with 4-6 week lead time. Please call for a quote. **DISCLAIMER: This test report was produced in accordance with IES LM-79 photometric testing protocol for luminaires, using a single representative test fixture. Actual production units may vary from the values reported here by up to ±10%.

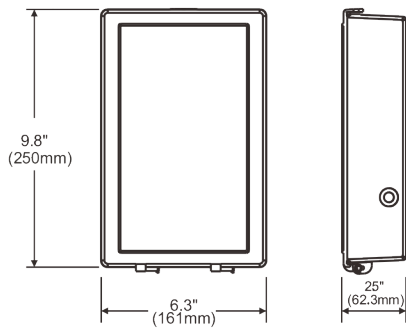
OPTIONAL EM ADDER

In the event of a utility power failure, the built-in battery pack provides 90 minutes of emergency illumination.

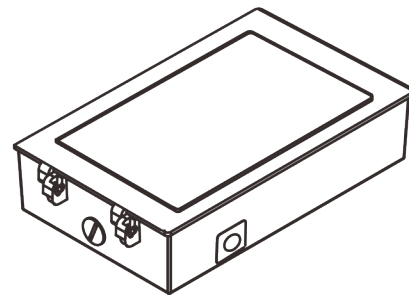


4"

DIMENSIONS



LINE DRAWING



FEATURES

- IP65
- Die-cast aluminum body
- UV stabilized powder coated finish
- Surface, wall mount; universal mounting pattern knockouts for 4" octagon or 4" square electrical boxes.
- Two 1/2-14 NPT threaded conduit entries in back box.



• Different LED Kelvin temperature available with 4-6 week lead time. Please call for a quote. •DISCLAIMER: This test report was produced in accordance with IES LM-79 photometric testing protocol for luminaires, using a single representative test fixture. Actual production units may vary from the values reported here by up to ±10%.