



# LED WAFER ROUND WITH RGBW

## JB-SMART-RGBW series

► **DESIGN** - LED WAFER ROUND WITH RGBW and classic, low-profile design is an ideal solution for low ceilings. This fixture has a J-box, plug & twist connector, spring-loaded clips, and requires only 2" of ceiling space, making the installation process quick and easy. The acrylic lens with a 110° beam angle grants you even light. It is designed to operate on 120V circuits and provides smooth dimming capabilities ranging from 10% to 100%.

► **RGBW** - The fixture has RGBW design with ASD SMART APP control. You can easily select Red, Green, Blue, White (2700K-6500K) colors or its' combinations, having 16.7 million colors in total. You can also choose lighting patterns and set up a schedule, having a great variety of good looking effects. All of it is easily controlled by ASD SMART APP on your Smartphone. The fixture is also compatible with Alexa and Google Assistant.

► **INSTALLATION** - Quick and easy installation. This fixture is IC rated so there is no can or any other housing required.

► **APPLICATION** - The fixture is rated for Wet location, making it perfect for kitchen, corridors, bathroom or any other common areas.

► **ADVANTAGES** - With a lifespan of 50,000 hours, these fixtures are made to last decades under normal operation! ASD provides a 5-year limited warranty along with ETL and T24 certification to guarantee top quality products and safety!



### PRODUCT PRESENTATION:

Model	Size	Power	Voltage	Dimming	Lumens	CCT	Finish	Dimensions	Certification
ASD-JBR-4D12SM-RGBW-WH	4 inch	9 W+3 W	120V	SMART APP	771lm	Red-Green-Blue-2700K-6500K	White	4-15/16" x 4-15/16" x 7/8"	ETL(5029309),T24, JA8
ASD-JBR-6D15SM-RGBW-WH	6 inch	12 W+3 W	120V	SMART APP	1,135lm	Red-Green-Blue-2700K-6500K	White	7-11/16" x 6-3/4" x 1-1/4"	ETL(5011772)

### TECHNICAL PARAMETERS:

Model	Work environment	Operating temperature	Power factor	Beam Angle	Surge protection	Housing	Lens	CRI
ASD-JBR-4D12SM-RGBW-WH	Wet location	-4°F to 113°F(-20°C to 45°C)	>0.9	112°	2kV	Aluminum	PS	>90
ASD-JBR-6D15SM-RGBW-WH	Wet location	-4°F to 113°F(-20°C to 45°C)	>0.8	120°	1kV	Aluminum	PC	>80

## ORDERING INFORMATION

Model	Product dimensions	Weight	Pcs. per carton	Carton size	Carton weight	UPC	GTIN 14
ASD-JBR-4D12SM-RGBW-WH	4-15/16" x 4-15/16" x 7/8"	0.6 lbs(0.2kg)	6	11.02" x 8.82" x 6.46"	4.6 lbs	81019020265	10810190202651
ASD-JBR-6D15SM-RGBW-WH	7-11/16" x 6-3/4" x 1-1/4"	0.9 lbs(0.4kg)	6	16.30" x 7.56" x 7.68"	6.6 lbs	81012811522	10810128115220

### ACCESSORIES:

Model	Product dimensions	Pcs. (pack) per carton	Carton size	Carton weight	UPC	GTIN 14
ASD-MPLR-346-SC-6PACK	14-3/8" x 10-9/16" x 1-5/8"	12 (2)	17.3" x 11.9" x 13.4"	17 lbs	810050739337	10810050739334
ASD-MPLR-346-FA-6PACK	13-1/4" x 9-1/16" x 1/16"	24 (4)	14.4" x 9.8" x 3.2"	18.1 lbs	810050739344	10810050739341
ASD-MPLR18-346-FA-6PACK	18" x 9-1/16" x 1/16"	24 (4)	18.9" x 9.8" x 3.2"	32.9 lbs	810128112826	10810128112823
ASD-MPLR-346-FS-6PACK	26" x 8-1/4" x 1/16"	24 (4)	27" x 9.1" x 3.2"	21 lbs	810050739351	10810050739358
ASD-MPLR-4-FS-6PACK	26" x 8-1/4" x 1/16"	24 (4)	26.9" x 9.5" x 3.8"	26.2 lbs	810190202562	10810190202569
ASD-MPLR-6-FS-6PACK	26" x 8-1/4" x 1/16"	24 (6)	26.9" x 9.5" x 3.8"	26.3 lbs	810190202579	10810190202576

For most up-to-date spec sheets please refer to [asd-lighting.com](http://asd-lighting.com)



# LED WAFER ROUND WITH RGBW

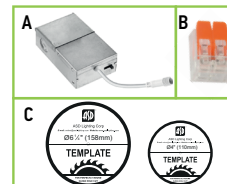
## JB-SMART-RGBW series

### DIMENSIONS JUNCTION BOX:

Fixture	Junction box
4 inch	3-15/16" x 2-11/16" x 1-5/16" (100mm x 68mm x 34mm)
6 inch	4-8/16" x 2-11/16" x 1-3/8" (115mm x 68mm x 35mm)

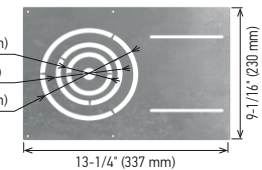
### PACKAGE CONTENTS:

Description	Quantity
LED Wafer Round with RGBW	1
J-Box driver (A)	1
Connector (B)	3
Template (C)	1
Box	1

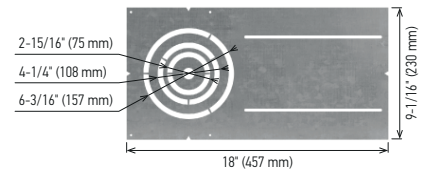


### ACCESSORIES (sold separately):

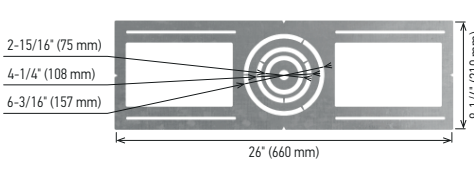
**New construction flat mounting plate with asymmetric round holes 3-4-6"**  
ASD-MPLR-346-FA



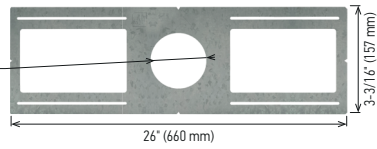
**New construction flat mounting plate 18" with asymmetric round holes 3-4-6"**  
ASD-MPLR18-346-FA



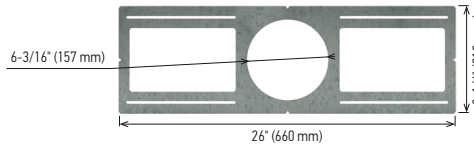
**New construction flat mounting plate with symmetric round holes 3-4-6"**  
ASD-MPLR-346-FS



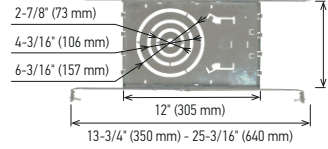
**New construction flat mounting plate with symmetric round holes 4"**  
ASD-MPLR-4-FS-6PACK



**New construction flat mounting plate with symmetric round holes 6"**  
ASD-MPLR-6-FS-6PACK



**New construction mounting plate with round holes and sliding clips 3-4-6"**  
ASD-MPLR-346-SC



### ACCESSORY COMPATIBILITY LIST:

Accessories	Models	
	ASD-JBR-RGBW	
	4 inch	6 inch
New construction mounting plate with round holes and sliding clips 3-4-6" ASD-MPLR-346-SC	•	•
New construction flat mounting plate with asymmetric round holes 3-4-6" ASD-MPLR-346-FA	•	•
New construction flat mounting plate 18" with asymmetric round holes 3-4-6" ASD-MPLR18-346-FA	•	•
New construction flat mounting plate with symmetric round holes 3-4-6" ASD-MPLR-346-FS	•	•
New construction flat mounting plate with symmetric round holes 4" ASD-MPLR-4-FS-6PACK	•	
New construction flat mounting plate with symmetric round holes 6" ASD-MPLR-6-FS-6PACK		•

For most up-to-date spec sheets please refer to [asd-lighting.com](http://asd-lighting.com)



# LED WAFER ROUND WITH RGBW

JB-SMART-RGBW series



ASD Smart is an innovative solution for seamless control of lighting fixtures from ASD Lighting. With the mobile app, users can easily adjust brightness, change color temperature, and utilize RGB lighting to create the perfect ambiance.

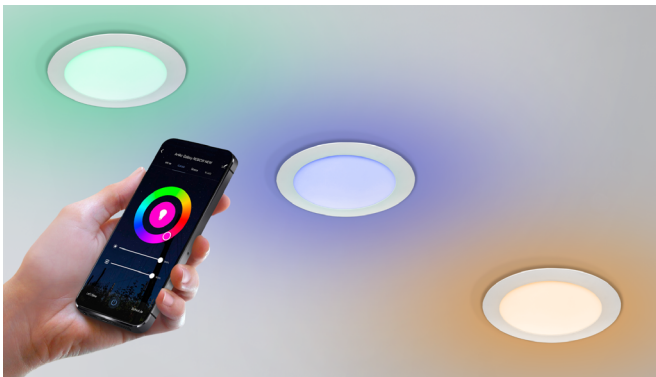
The App supports **group control**, allowing multiple lights to work in sync, as well as the creation of **personalized lighting scenarios**. For added convenience, it integrates with **voice assistants** like Amazon Alexa, enabling hands-free lighting control.

This smart solution enhances **convenience, innovation, and energy efficiency** wherever it is used.



## FIXTURE CONTROL

Set brightness, change color temperature, use RGB lighting.



## CUSTOM SCENARIOS

Allows you to apply scenes, scenarios or to create your own.



## SCHEDULING

Set your lights to turn on and off exactly when you need them - by time of day and day of the week.



## GROUP CONTROL

Control multiple lights as one - group devices together for seamless, synchronized lighting



For most up-to-date spec sheets please refer to [asd-lighting.com](http://asd-lighting.com)

ASD LIGHTING CORP

E-mail: [orders@asd-lighting.com](mailto:orders@asd-lighting.com) | Web site: [www.asd-lighting.com](http://www.asd-lighting.com)





# LED WAFER ROUND WITH RGBW

## JB-SMART-RGBW series

## INSTALLATION GUIDE

### IMPORTANT SAFETY INFORMATION:

Please read all the instructions below before installation!

- ▶ Make sure that the supply voltage corresponds to the rated product voltage.
- ▶ The product must be installed by a qualified electrician in accordance with the National Electrical Code and corresponding local codes.
- ▶ If the product is damaged, do not use it.

### ⚠ WARNING

**Risk of personal injury** – read and follow all warnings and installation instructions. Keep or give to the owner for future reference.

**Risk of cuts:** Wear gloves to prevent cuts or abrasions when removing from carton, handling, installing, and maintaining this product.

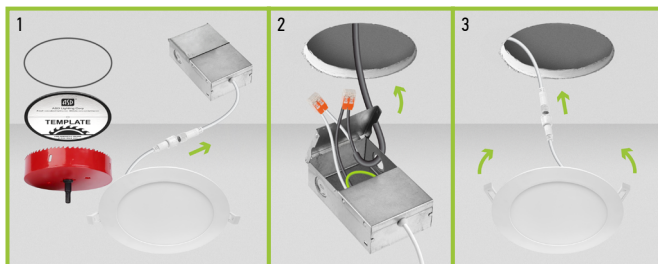
**Risk of electric shock:** This product must be installed in accordance with the applicable installation code by a person familiar with the construction and operation of the product and the hazards involved.

**Risk of Fire:** Minimum 194°F supply conductors. Consult a qualified electrician to ensure correct branch circuit conductor.

ASD® assumes no responsibility for claims arising out of improper or careless Installation or handling of this product.

### INSTALLATION STEPS:

1. Use template to cut an appropriate sized hole. Disconnect the fixture from the junction box.
2. Open junction box. Connect the wires: Black to Black, White to White, Green to Green. Secure the connection with quick connector. Choose needed color temperature by adjusting the switch. Close the junction box.
3. Insert the junction box into the cut hole, leaving the connection cable outside. Connect the fixture to the Junction box inserting the cable and securing it with a cap. Push the spring loaded clips upwards and insert the fixture base into the mounting hole. Release the clips, so the fixture fits securely.

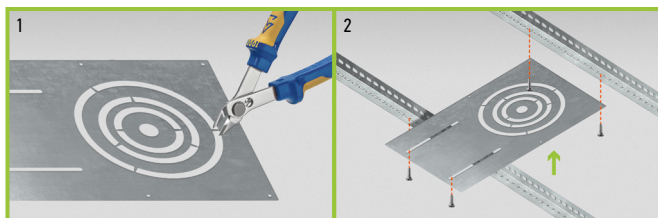


### MOUNTING PLATE INSTALLATION:

ASD-MPLR-346-FA ASD-MPLR18-346-FA

ASD-MPLR-346-FS ASD-MPLR-346-SC **sold separately**

1. Remove the metal ring from the mounting plate according to the size of fixture.
2. Place the mounting plate and secure its position with screws on the beams.



### STEP-BY-STEP GUIDE FOR ADDING NEW DEVICES TO THE ASD SMART APP:

1. Download the ASD SMART APP from the App Store (for IOS) or from the Google Play Store (for Android) using the QR codes below.

[ASD SMART APP](#)  
[download Android](#)



[ASD SMART APP](#)  
[download iOS](#)



[Smartphone manual](#)



2. Connect the fixture to a power source, then prepare the fixture for pairing:
  - If the fixture is blinking: It's already in pairing mode. Skip to Step 4.
  - If the fixture is not blinking: Go to Step 3 to manually enter pairing mode.
3. Manually put the fixture in pairing mode:
  - Press and hold the "RESET" button located on the back of the fixture for 5 seconds.
  - The fixture will start blinking, signaling it's in pairing mode. The blinking might stop after a few seconds, but it will still be in pairing mode.
4. Adding the fixture to the App:
  - Ensure Bluetooth is enabled and your phone is connected to a Wi-Fi network with internet access.
  - Open the ASD SMART APP.
  - At the top of the App, select the area where the new fixture will be located.
  - Tap the "+" button in the top right corner, then select "Add device".
  - Wait for the App to detect the fixture. Once it appears, tap "Add".
  - Enter your Wi-Fi credentials when prompted.
  - Once the fixture is successfully added, tap "Done" to complete the setup.

### FAQ:

#### 1. I can't see the device in the App:

Ensure the smart device is plugged in, Wi-Fi and Bluetooth are enabled on your mobile device, and your network hasn't reached its device limit.

If you're still having trouble:

- Keep the fixtures in pairing mode and reset your router.
- Verify that your Wi-Fi network is 2.4 GHz, as smart devices require this frequency.
- Ensure your smart device is within Wi-Fi range (approximately 5-10ft indoors).

#### 2. "Time out" error when connecting the device:

- On the App homepage, tap the "Me" icon in the lower right corner.
- In the upper right corner of the next screen, tap the "Settings" icon.
- Scroll to the bottom of the settings page to check the current storage occupied by the App cache.
- Close the App, reboot your phone, and try re-adding the device.

#### 3. I can't control multiple devices at once.

Ensure you are not attempting to group different types of devices (for example, a wall sconce and a security camera). Only devices of the same type can be grouped and controlled together.

To learn more about the App, check out the instructions at this link.

For most up-to-date spec sheets please refer to [asd-lighting.com](http://asd-lighting.com)